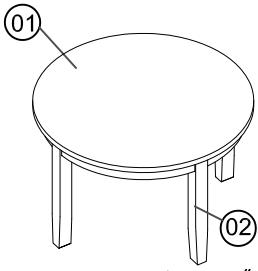
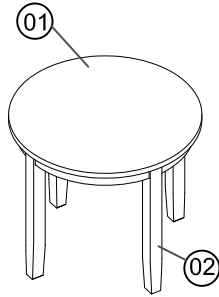


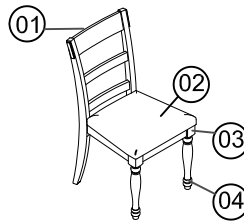
Rockport Dining PARTS SHEET



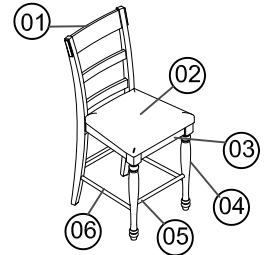
ZRPT-8080 Rockport 48" Round Table



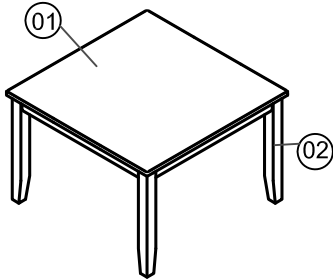
ZRPT-8090 Rockport 42" Rnd Ctr Ht Table



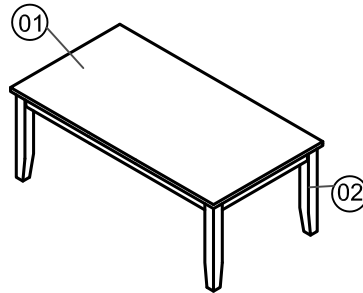
ZRPT-8061 Side Chair







ZRPT-8001 Bar Stool









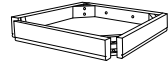




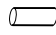
ZRPT-8000 Rockport 54" Counter Height Table











ZRPT-8060 Rockport Standard Table










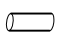
| | |
|-----------------|---|
| NO. | ZRPT-8080 |
| 01 |  TABLE TOP |
| 02 |  LEG |
| HARDWARE | |
| A |  LOCK WASHER / FLAT WASHER / BOLT |
| B |  ALLEN WRENCH |

| | |
|-----------------|---|
| NO. | ZRPT-8090 |
| 01 |  TABLE TOP |
| 02 |  LEG |
| HARDWARE | |
| A |  LOCK WASHER / FLAT WASHER / BOLT |
| B |  ALLEN WRENCH |

| | |
|-----|---|
| NO. | ZRPT-8061 |
| 01 |  SEAT BACK ASSEMBLY |
| 02 |  SEAT CUSHION |
| 03 |  SEAT FRAME ASSEMBLY |
| 04 |  FRONT LEG |
| NO. | HARDWARE |
| A |  SPRING WASHER / FLAT WASHER |
| B | |
| C | |
| D | |
| E |  ALLEN WRENCH |
| F |  NAIL |
| G |  WOOD PIN |

| | |
|-----------------|---|
| NO. | ZRPT-8000 |
| 01 |  TABLE TOP |
| 02 |  LEG |
| HARDWARE | |
| A |  LOCK WASHER / FLAT WASHER / BOLT |
| B |  ALLEN WRENCH |

| | |
|-----------------|---|
| NO. | ZRPT-8060 |
| 01 |  TABLE TOP |
| 02 |  LEG |
| HARDWARE | |
| A |  LOCK WASHER / FLAT WASHER / BOLT |
| B |  ALLEN WRENCH |

| | |
|-----|--|
| NO. | ZRPT-8001 |
| 01 |  SEAT BACK ASSEMBLY |
| 02 |  SEAT CUSHION |
| 03 |  SEAT FRAME ASSEMBLY |
| 04 |  FRONT LEG |
| 05 |  FRONT STRETCHER |
| 06 |  SIDE STRETCHER |
| NO. | HARDWARE |
| A |  SPRING WASHER / FLAT WASHER |
| B | |
| C | |
| D | |
| E |  ALLEN WRENCH |
| F |  NAIL |
| G |  WOOD PIN |