

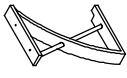
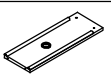


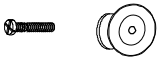






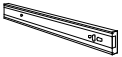



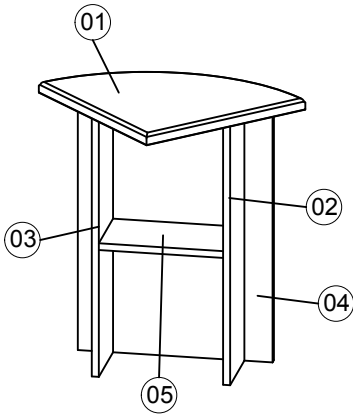
Super Z Writing Desk

| NO. | ZK-Z6020 |
|-----|--|
| 1 |  TOP PANEL |
| 2 |  LEFT support |
| 3 |  RIGHT Support |
| 4 |  BACK PANEL |
| 5 |  Bottom RAIL |
| 6 |  Keyboard DRAWER |

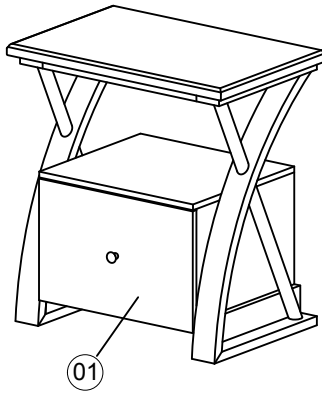
| ZK-Z6020 HARDWARE | |
|-------------------|--|
| A |  KNOB WITH BOLT |
| B |  Allen Wrench (5mm) |
| C |  Bolt (5/16"x1-1/2") |
| D |  Bolt (5/16"x2-1/4") |
| E |  Lock Washer (5/16") |
| F |  Flat Washer (5/16"x19mm) |
| G |  DRAWER HINGE |
| H |  DRAWER GLIDE |
| I |  DRAWER side CATCH |

Thank you for choosing Legends Furniture!

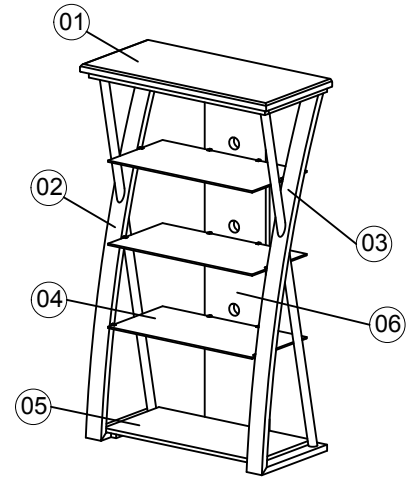
SUPER Z OFFICE PARTS SHEET






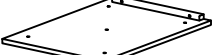





ZSUZ-6030 Super Z Corner Desk

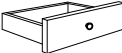

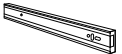












ZSUZ-6010 Super Z Lateral File Drawer



ZSUZ-6009 Super Z Bookcase

| NO. | ZSUZ-6030 |
|-----------------|--|
| 01 |  TOP PANEL |
| 02 |  RIGHT PANEL |
| 03 |  LEFT PANEL |
| 04 |  BACK PANEL |
| 05 |  SHELF PANEL |
| HARDWARE | |
| A |  LOCK WASHER / FLAT WASHER / BOLT |
| B |  ALLEN WRENCH |
| C |  COMBINER |
| D |  WOOD PLUG |

| NO. | ZSUZ-6010 |
|-----------------|---|
| 01 |  DRAWER |
| HARDWARE | |
| A |  KNOB WITH BOLT |
| B |  DRAWER GLIDE |
| C |  ADJUSTABLE LEVELER |

| NO. | ZSUZ-6009 |
|-----------------|--|
| 01 |  TOP PANEL |
| 02 |  LEFT SIDE PIER |
| 03 |  RIGHT SIDE PIER |
| 04 |  GLASS SHELF |
| 05 |  BOTTOM PANEL |
| 06 |  BACK PANEL |
| HARDWARE | |
| A |  LOCK WASHER / FLAT WASHER / BOLT |
| B |  ALLEN WRENCH |
| C |  SHELF PIN |