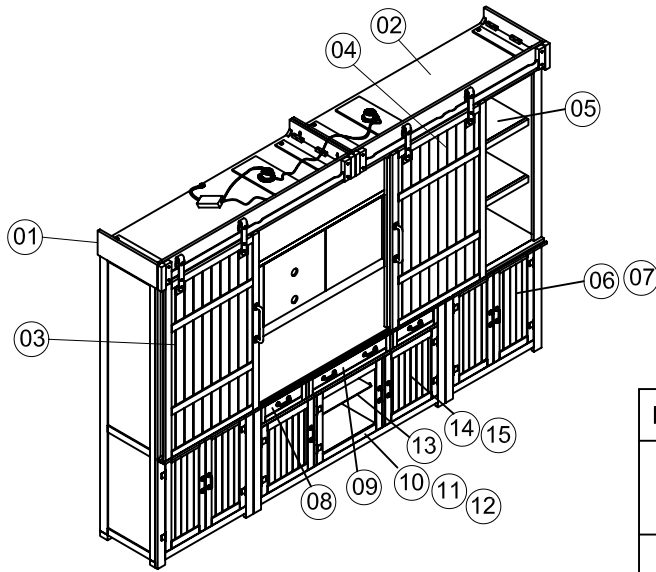


Industrial Wall PARTS SHEET



- *ZIND-3000 Industrial Bookcase Pier
- *ZIND-1000 Industrial 64" TV Console
- *ZIND-2001 Industrial Bridge & Doors
- *ZIND-2002 Industrial Hutch & Back panels

NO.	ZIND-2001
01	LEFT BRIDGE
02	RIGHT BRIDGE
03	LEFT DOOR
04	RIGHT DOOR
HARDWARE	
A	CAN LIGHT
B	LOCK WASHER / FLAT WASHER / BOLT
C	LEFT METAL RAIL
D	RIGHT METAL RAIL
E	ROLLER

NO.	ZIND-3000
05	TOP WOOD SHELF
06	WOOD DOOR COMPLETE
07	BOTTOM WOOD SHELF PANEL
HARDWARE	
A	DOOR HINGE
B	KNOB WITH BOLT
C	ADJUSTABLE LEVELER

NO.	ZIND-1000
08	SIDE DRAWER
09	MIDDLE DRAWER
10	GLASS DOOR COMPLETE
11	GLASS DOOR FRAME
12	DOOR GLASS
13	GLASS SHELF
14	SIDE DOOR
15	WOOD SHELF
HARDWARE	
A	DRAWER GLIDE
B	ADJUSTABLE LEVELER
C	SHELF HOLDER
D	ROLLER CATCH
E	DOOR CATCH
F	DRAWER HINGE
G	DRAWER FRONT CATCH

NO.	ZIND-2002
16	CROWN
17	LEFT SIDE BOX
18	RIGHT SIDE BOX
19	SHELF
20	BOTTOM BACK RAIL
21	LEFT SIDE BACKING
22	LEFT CENTER BACKING
23	RIGHT SIDE BACKING
HARDWARE	
A	LOCK WASHER / FLAT WASHER / BOLT
B	ALLEN WRENCH
C	L IRON METAL