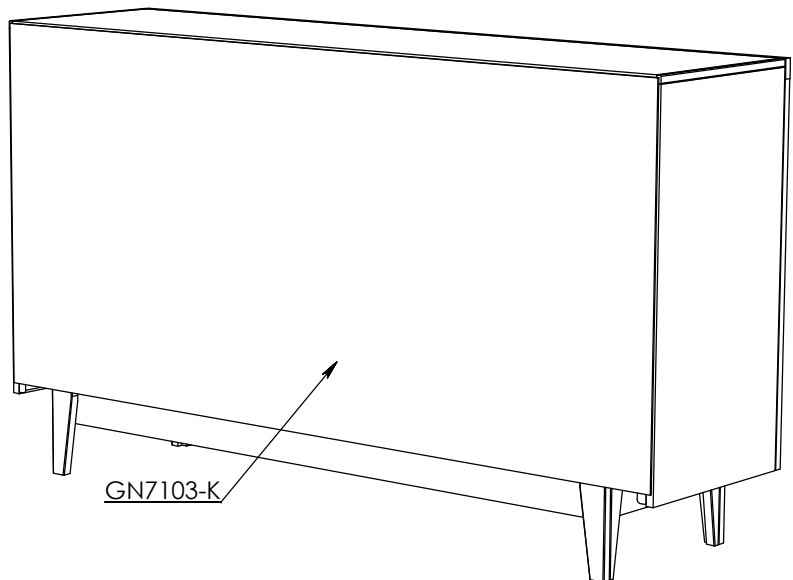
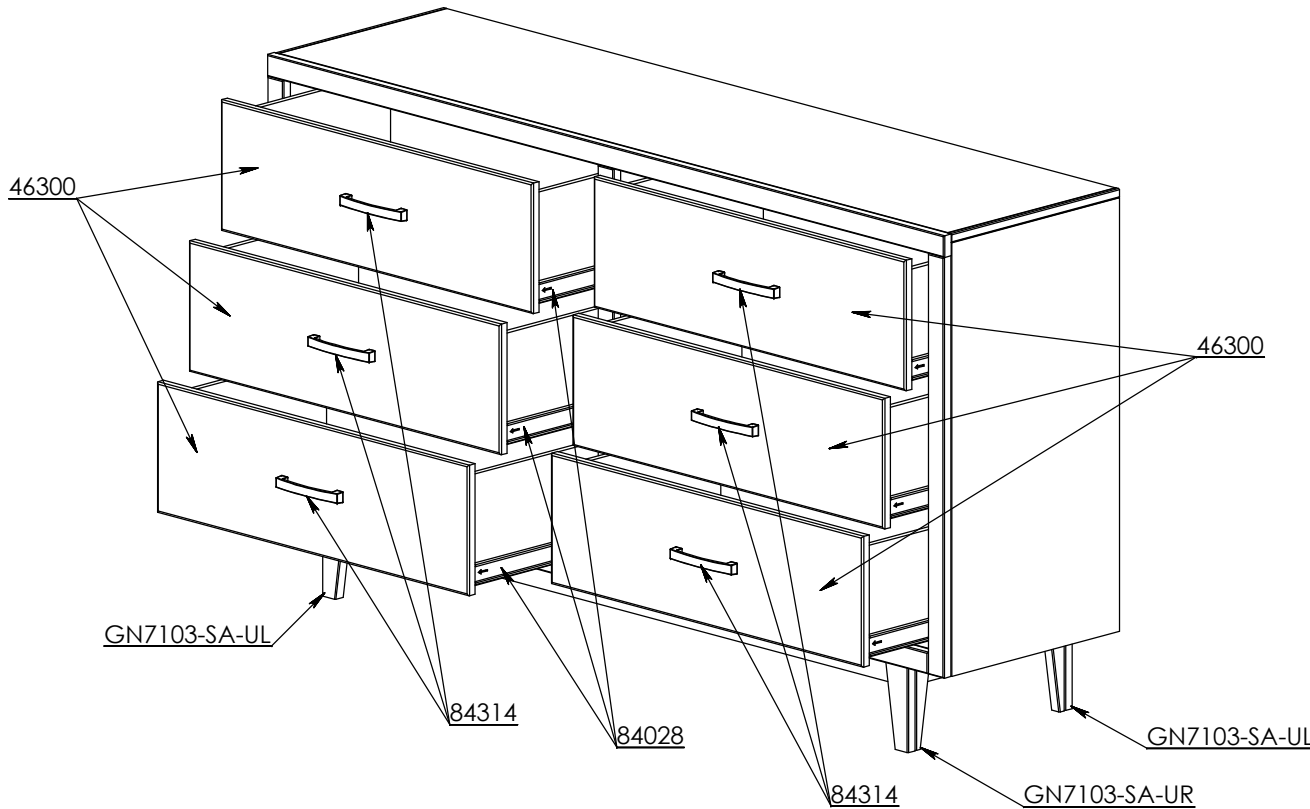


PART NUMBER	DESCRIPTION
GN7103-K	GN7103 Luan Backing
GN7103-DA-D	GN7103 S/A Drawer
46328	46328 Knotty Alder MDF Drawer Front
84028	84028 12" Full Extension Drawer Glide
84027	84027 12" Full Extension Cabinet Glide
GN7103-SA-UL	GN7103 S/A Left Leg
84315	84315 Hanger Bolt 5/16-18 x 4" Long
84265	84265 Wing Nut 5/16" x 18 tpi
84268	84268 Lock Washer 5/16" Diameter
84312	84312 Corner Leg Bracket
GN7103-SA-UR	GN7103 S/A Right Leg
84315	84315 Hanger Bolt 5/16-18 x 4" Long
84265	84265 Wing Nut 5/16" x 18 tpi
84268	84268 Lock Washer 5/16" Diameter
84312	84312 Corner Leg Bracket
84314	84314 - Pull, 5 3/4", Nickel, 128mm C/C
84214	Furniture Tipping Restraint Kit

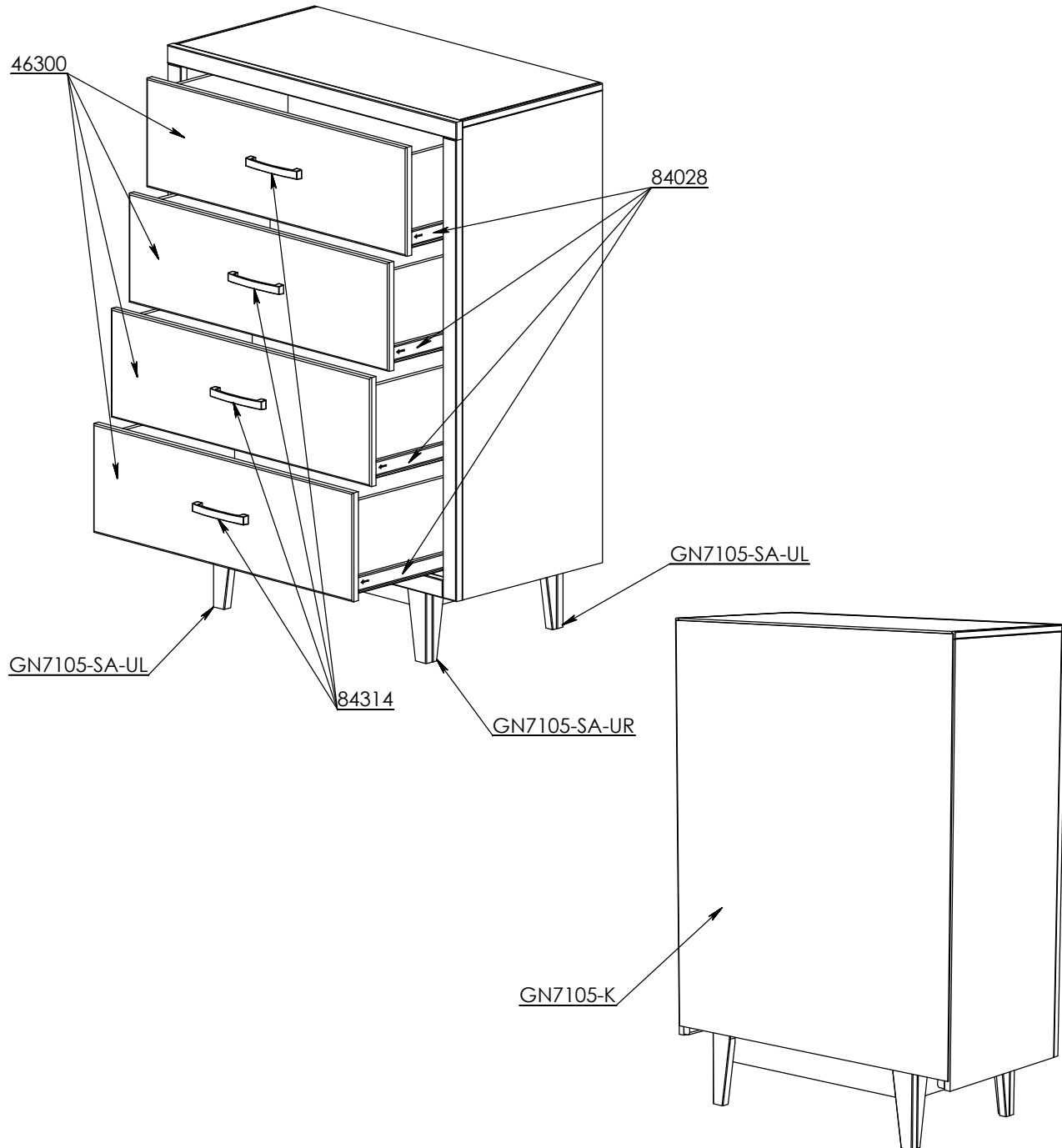


Legends Furniture

GN7105

Some Items In The List To The Right May Not Show In The Diagrams Below.

PART NUMBER	DESCRIPTION
GN7105-K	GN7105 Luan Backing
GN7105-DA-D	GN7105 S/A Drawer w/ 12" Glides
46328	46328 Knotty Alder MDF Drawer Front
84028	84028 12" Full Extension Drawer Glide
84027	84027 12" Full Extension Cabinet Glide
GN7105-SA-UL	GN7105 S/A Left Leg
84315	84315 Hanger Bolt 5/16-18 x 4" Long
84265	84265 Wing Nut 5/16" x 18 tpi
84268	84268 Lock Washer 5/16" Diameter
84312	84312 Corner Leg Bracket
GN7105-SA-UR	GN7105 S/A Right Leg
84315	84315 Hanger Bolt 5/16-18 x 4" Long
84265	84265 Wing Nut 5/16" x 18 tpi
84268	84268 Lock Washer 5/16" Diameter
84312	84312 Corner Leg Bracket
84314	84314 - Pull, 5 3/4", Nickel, 128mm C/C
84214	Furniture Tipping Restraint Kit



PART NUMBER	DESCRIPTION
GN7106-K	GN7106 Luan Backing
GN7106-DA-D	GN7106 S/A Drawer w/ 12" Glides
46329	46329 Knotty Alder MDF Drawer Front
84028	84028 12" Full Extension Drawer Glide
84027	84027 12" Full Extension Cabinet Glide
GN7106-SA-UL	GN7106 S/A Left Leg
84315	84315 Hanger Bolt 5/16-18 x 4" Long
84265	84265 Wing Nut 5/16" x 18 tpi
84268	84268 Lock Washer 5/16" Diameter
84312	84312 Corner Leg Bracket
GN7106-SA-UR	GN7106 S/A Right Leg
84315	84315 Hanger Bolt 5/16-18 x 4" Long
84265	84265 Wing Nut 5/16" x 18 tpi
84268	84268 Lock Washer 5/16" Diameter
84312	84312 Corner Leg Bracket
84314	84314 - Pull, 5 3/4", Nickel, 128mm C/C
84214	Furniture Tipping Restraint Kit

