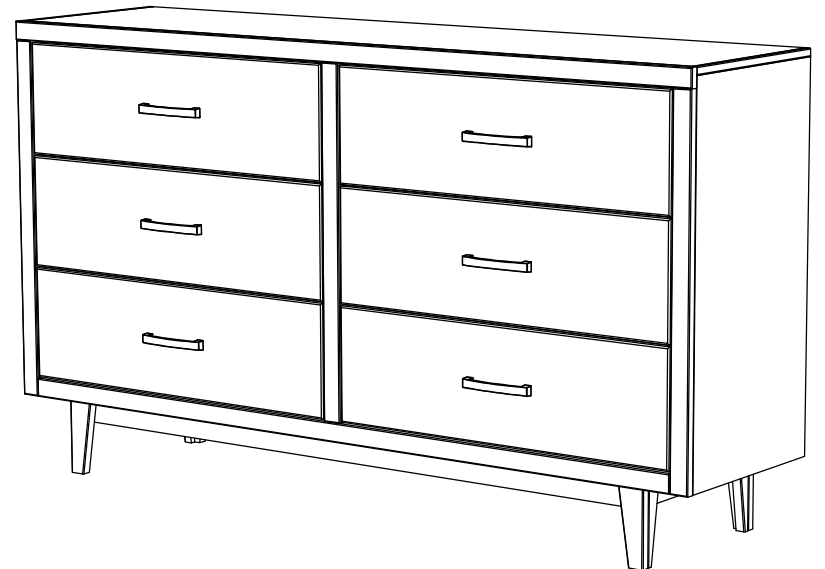
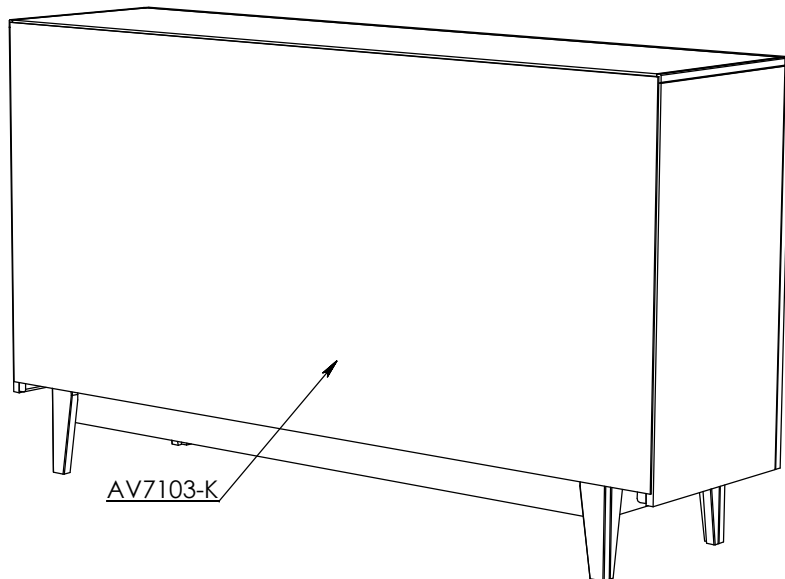
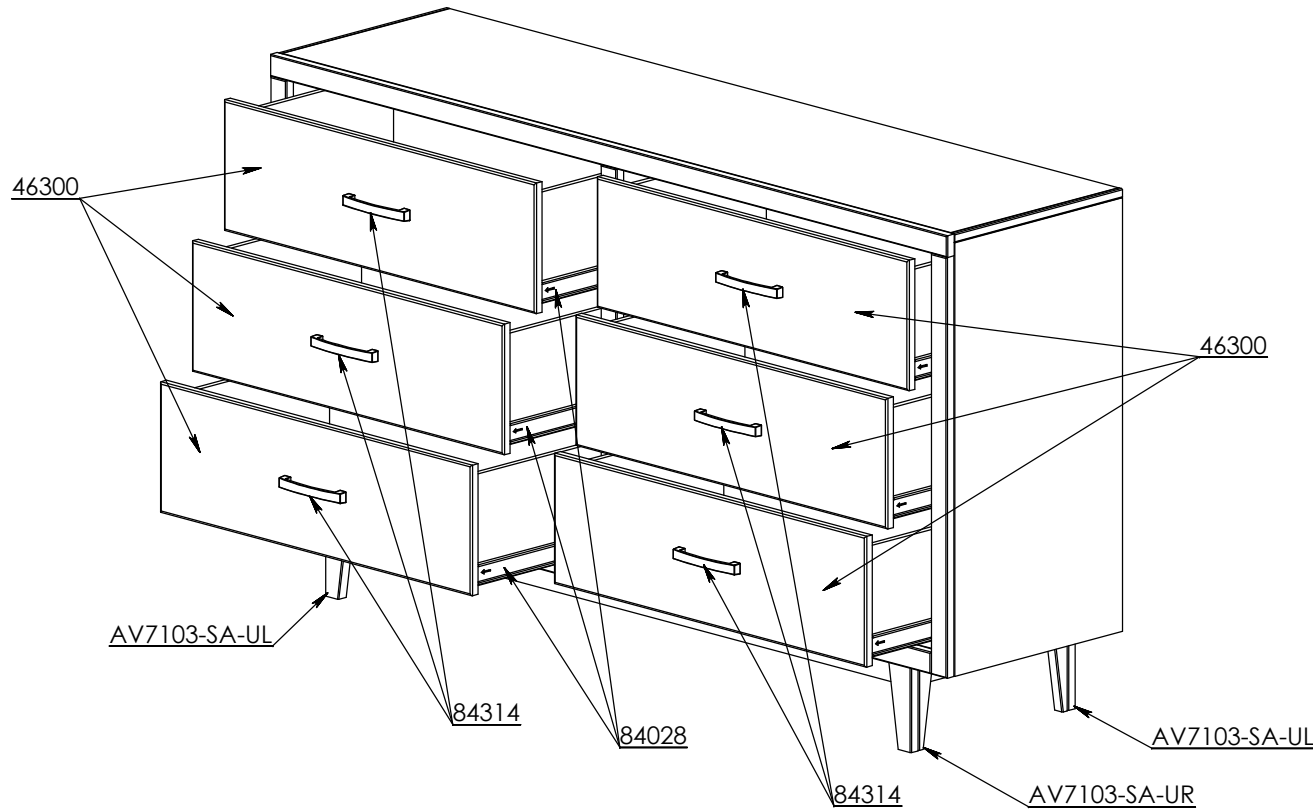


# Legends Furniture

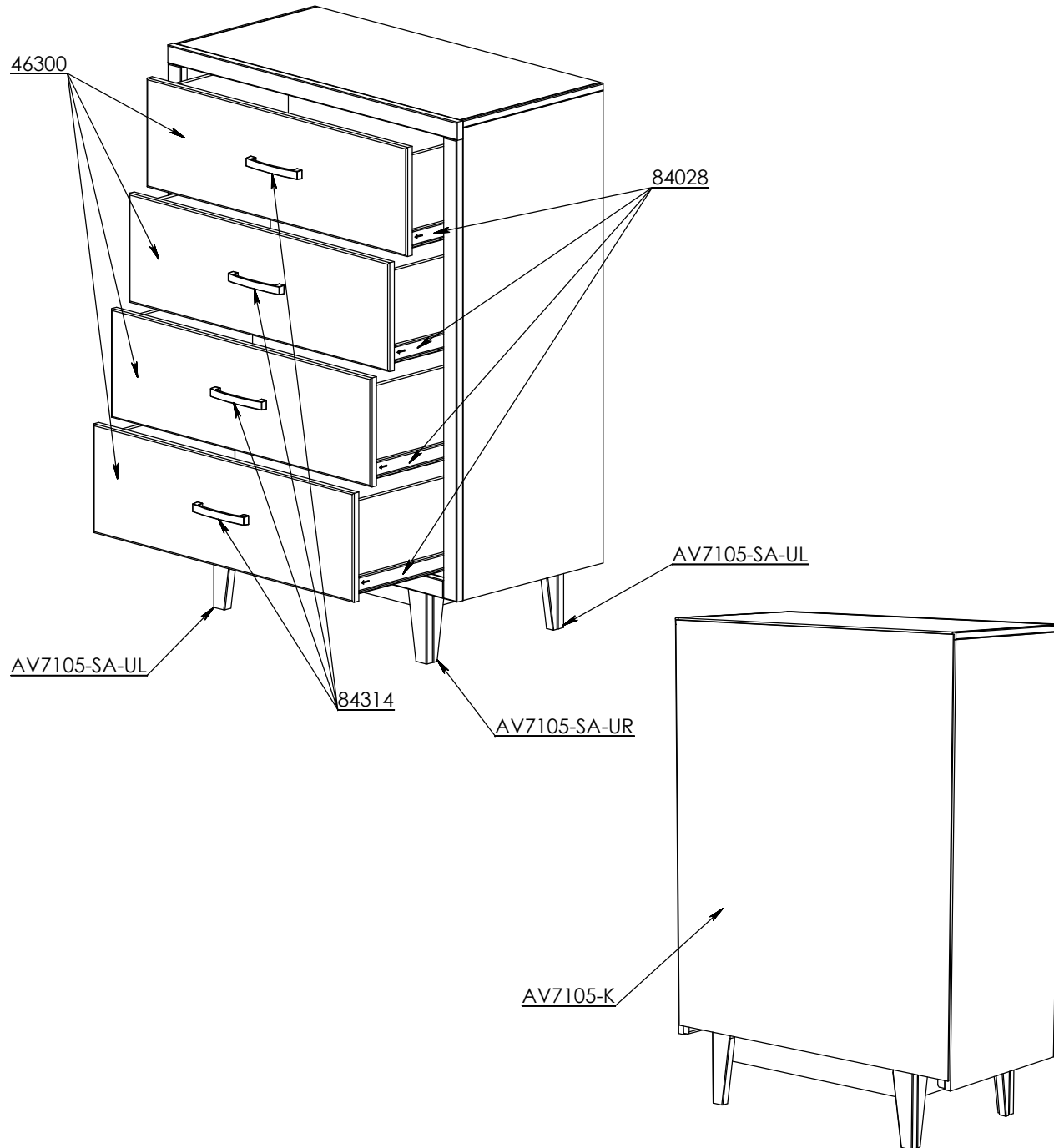
AV7103

Some Items In The List To The Right  
May Not Show In The Diagrams Below.

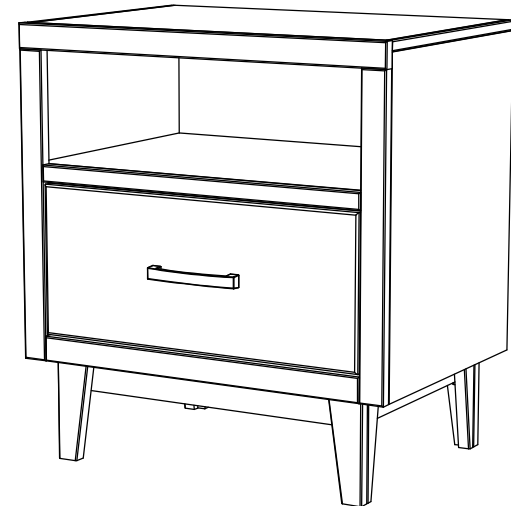
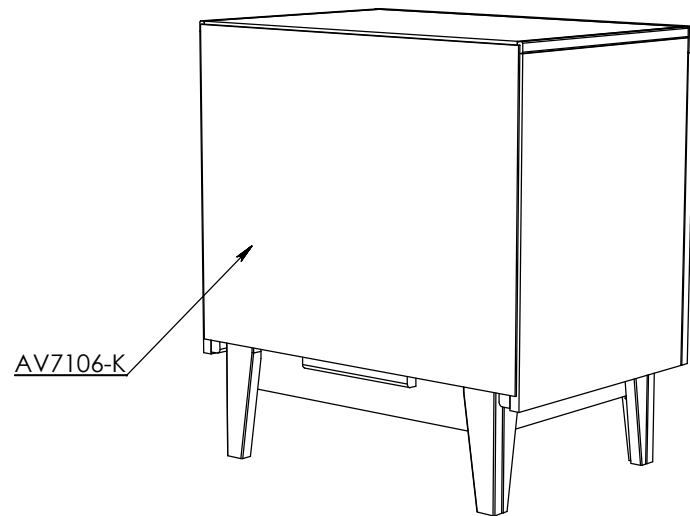
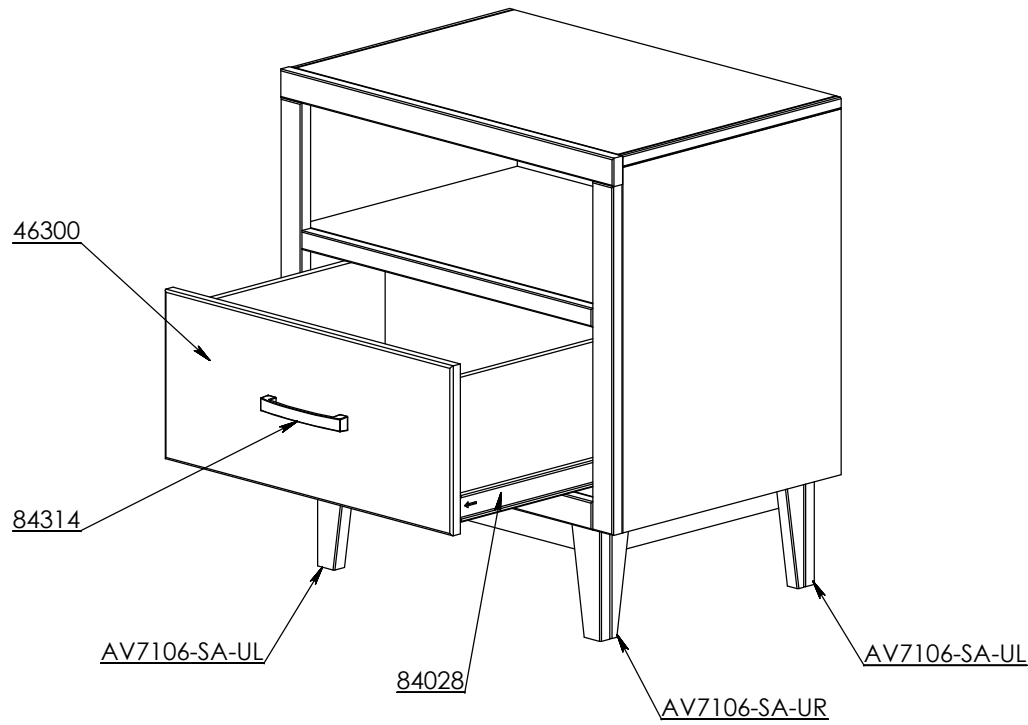
PART NUMBER	DESCRIPTION
AV7103-K	AV7103 Luan Backing
AV7103-DA-D	AV7103 S/A Drawer
46328	46328 Knotty Alder MDF Drawer Front
84028	84028 12" Full Extension Drawer Glide
84027	84027 12" Full Extension Cabinet Glide
AV7103-SA-UL	AV7103 S/A Left Leg
84315	84315 Hanger Bolt 5/16-18 x 4" Long
84265	84265 Wing Nut 5/16" x 18 tpi
84268	84268 Lock Washer 5/16" Diameter
84312	84312 Corner Leg Bracket
AV7103-SA-UR	AV7103 S/A Right Leg
84315	84315 Hanger Bolt 5/16-18 x 4" Long
84265	84265 Wing Nut 5/16" x 18 tpi
84268	84268 Lock Washer 5/16" Diameter
84312	84312 Corner Leg Bracket
84314	84314 - Pull, 5 3/4", Nickel, 128mm C/C
84214	Furniture Tipping Restraint Kit



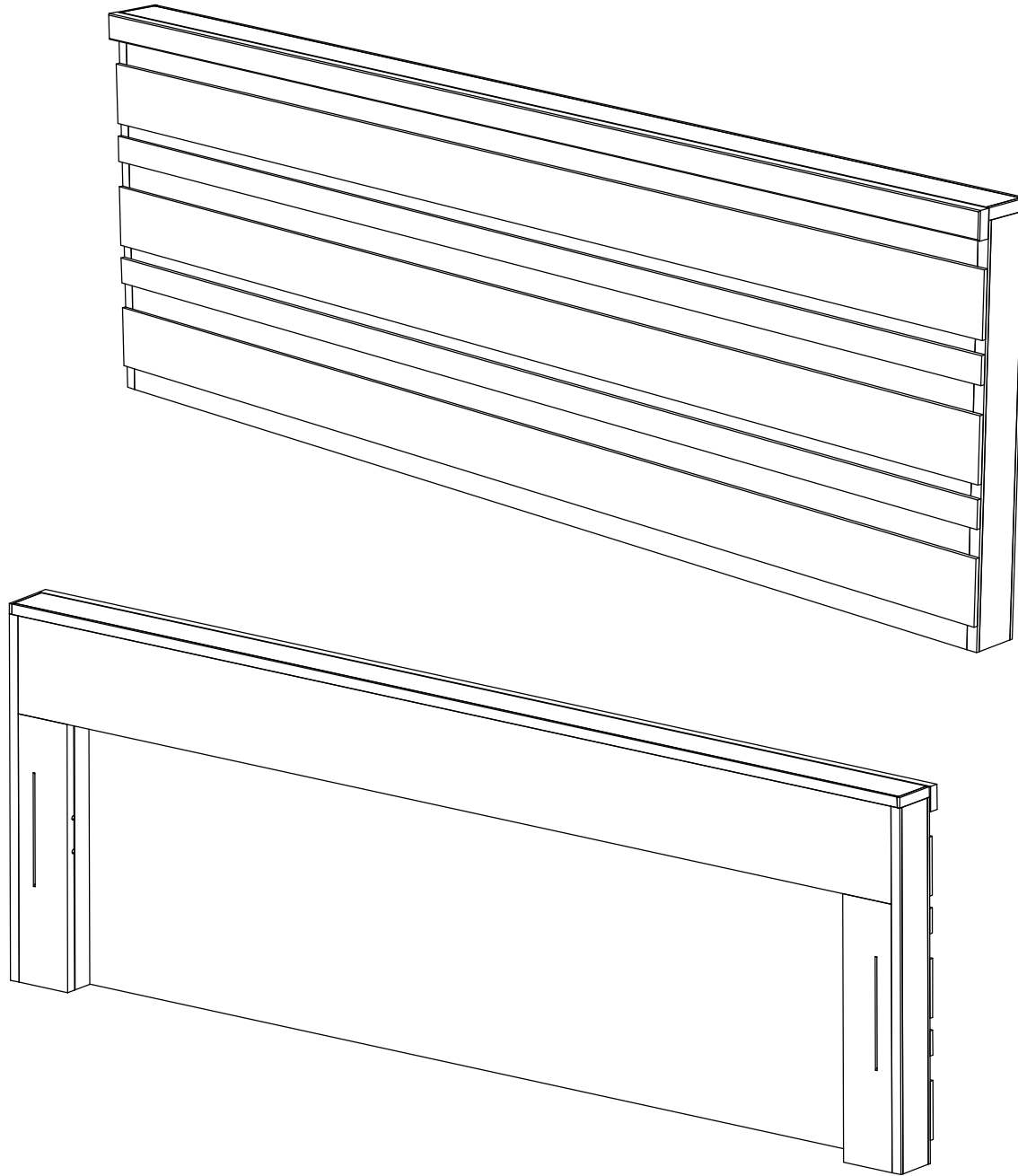
PART NUMBER	DESCRIPTION
AV7105-K	AV7105 Luan Backing
AV7105-DA-D	AV7105 S/A Drawer w/ 12" Glides
46328	46328 Knotty Alder MDF Drawer Front
84028	84028 12" Full Extension Drawer Glide
84027	84027 12" Full Extension Cabinet Glide
AV7105-SA-UL	AV7105 S/A Left Leg
84315	84315 Hanger Bolt 5/16-18 x 4" Long
84265	84265 Wing Nut 5/16" x 18 tpi
84268	84268 Lock Washer 5/16" Diameter
84312	84312 Corner Leg Bracket
AV7105-SA-UR	AV5201 S/A Right Leg
84315	84315 Hanger Bolt 5/16-18 x 4" Long
84265	84265 Wing Nut 5/16" x 18 tpi
84268	84268 Lock Washer 5/16" Diameter
84312	84312 Corner Leg Bracket
84314	84314 - Pull, 5 3/4", Nickel, 128mm C/C
84214	Furniture Tipping Restraint Kit



PART NUMBER	DESCRIPTION
AV7106-K	AV7106 Luan Backing
AV7106-DA-D	AV7106 S/A Drawer w/ 12" Glides
46329	46329 Knotty Alder MDF Drawer Front
84028	84028 12" Full Extension Drawer Glide
11626	11626 S/A Left Case Glide Buildout
84027	84027 12" Full Extension Cabinet Glide
12626	12626 S/A Right Case Glide Buildout
84027	84027 12" Full Extension Cabinet Glide
AV7106-SA-UL	AV7106 S/A Left Leg
84315	84315 Hanger Bolt 5/16-18 x 4" Long
84265	84265 Wing Nut 5/16" x 18 tpi
84268	84268 Lock Washer 5/16" Diameter
84312	84312 Corner Leg Bracket
AV7106-SA-UR	AV7106 S/A Right Leg
84315	84315 Hanger Bolt 5/16-18 x 4" Long
84265	84265 Wing Nut 5/16" x 18 tpi
84268	84268 Lock Washer 5/16" Diameter
84312	84312 Corner Leg Bracket
84314	84314 - Pull, 5 3/4", Nickel, 128mm C/C
84214	Furniture Tipping Restraint Kit



PART NUMBER	DESCRIPTION
84300	84300 Hook Rail Pin 1/4" x 1 3/8" Long



Legends Furniture

AV7114

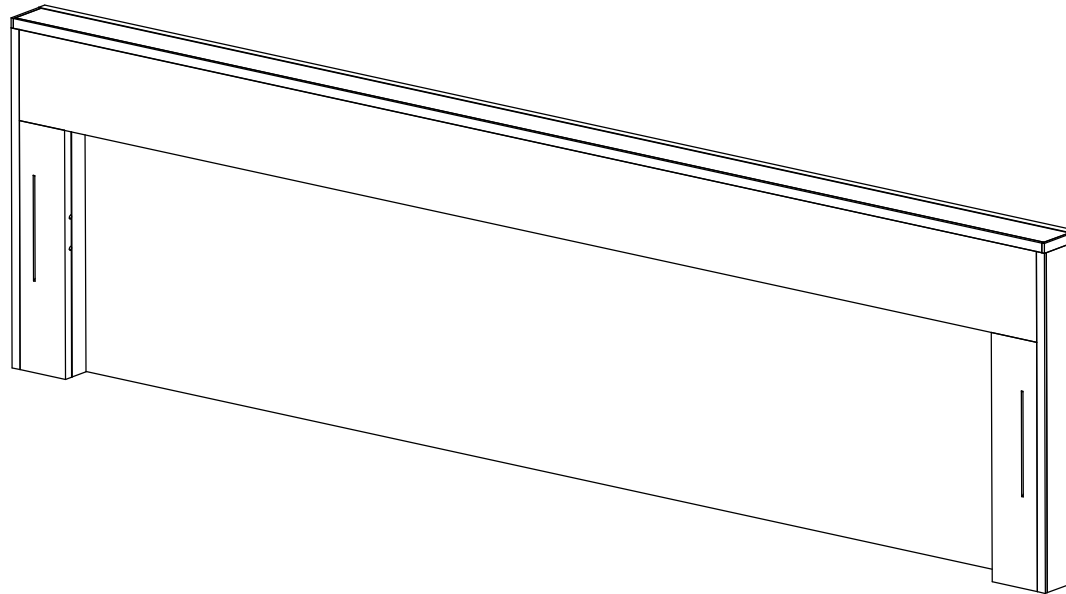
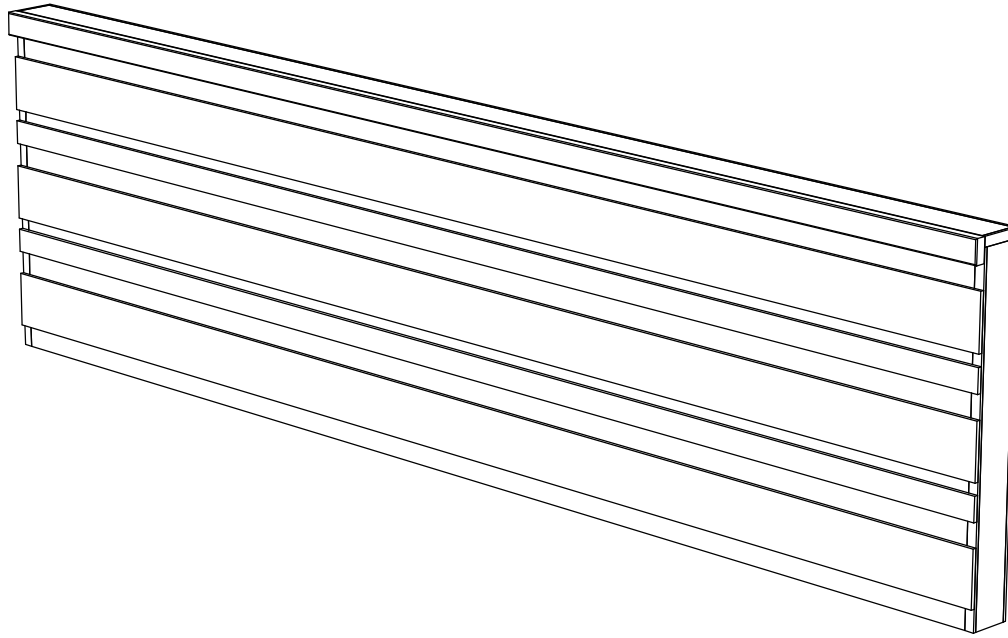
Some Items In The List To The Right  
May Not Show In The Diagrams Below.

PART NUMBER

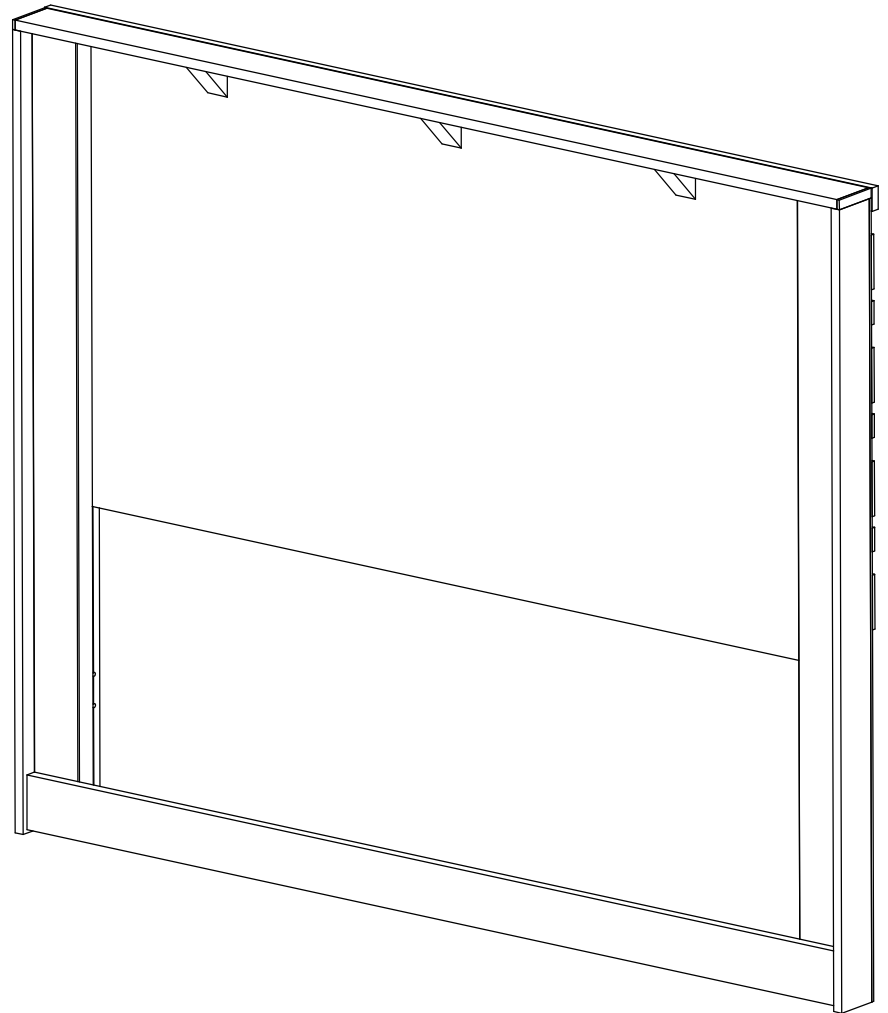
DESCRIPTION

84300

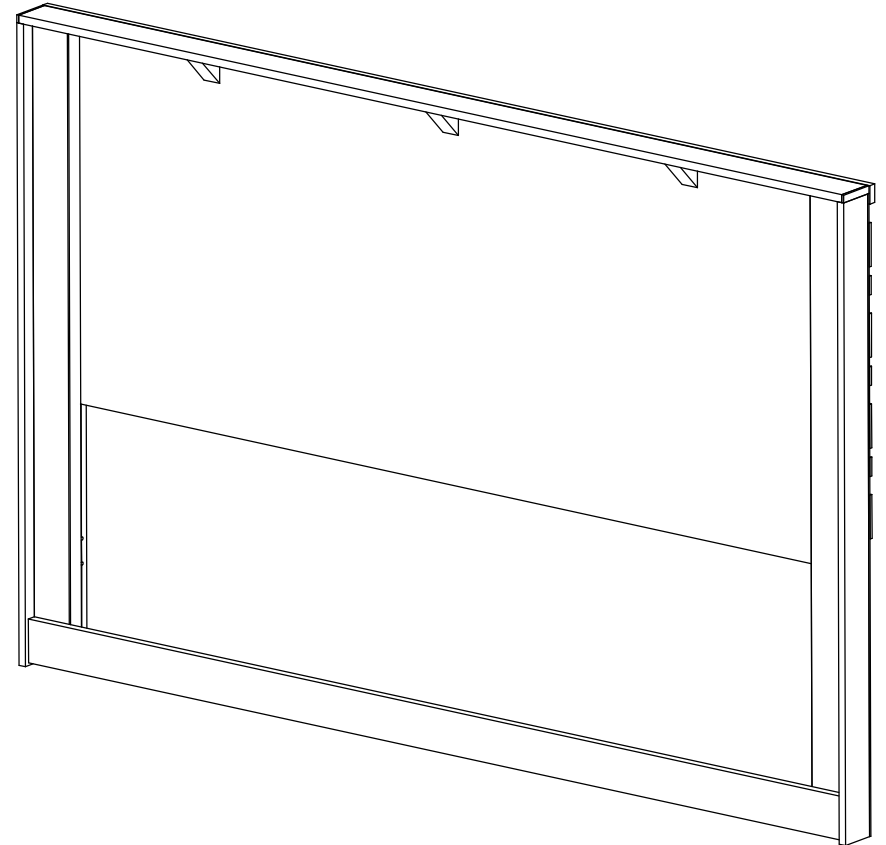
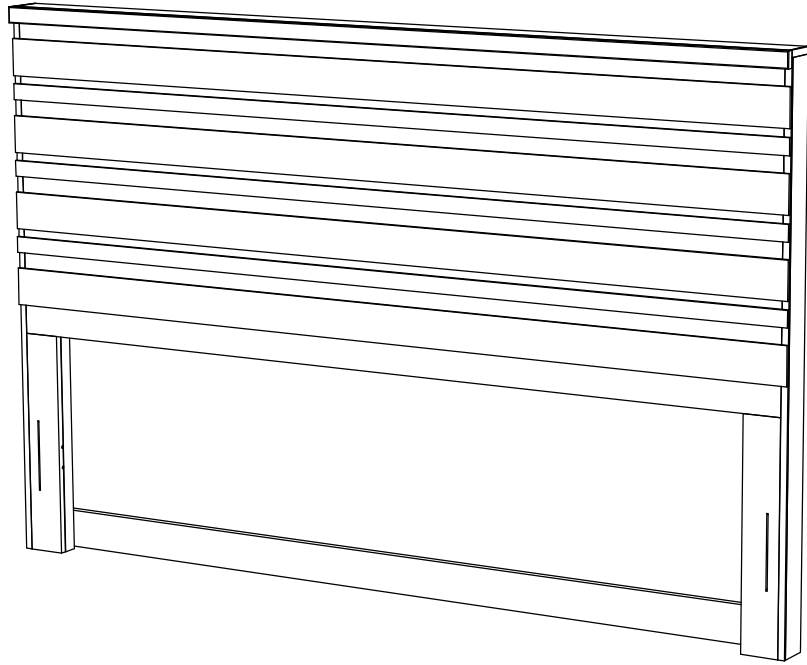
84300 Hook Rail Pin 1/4" x 1 3/8" Long



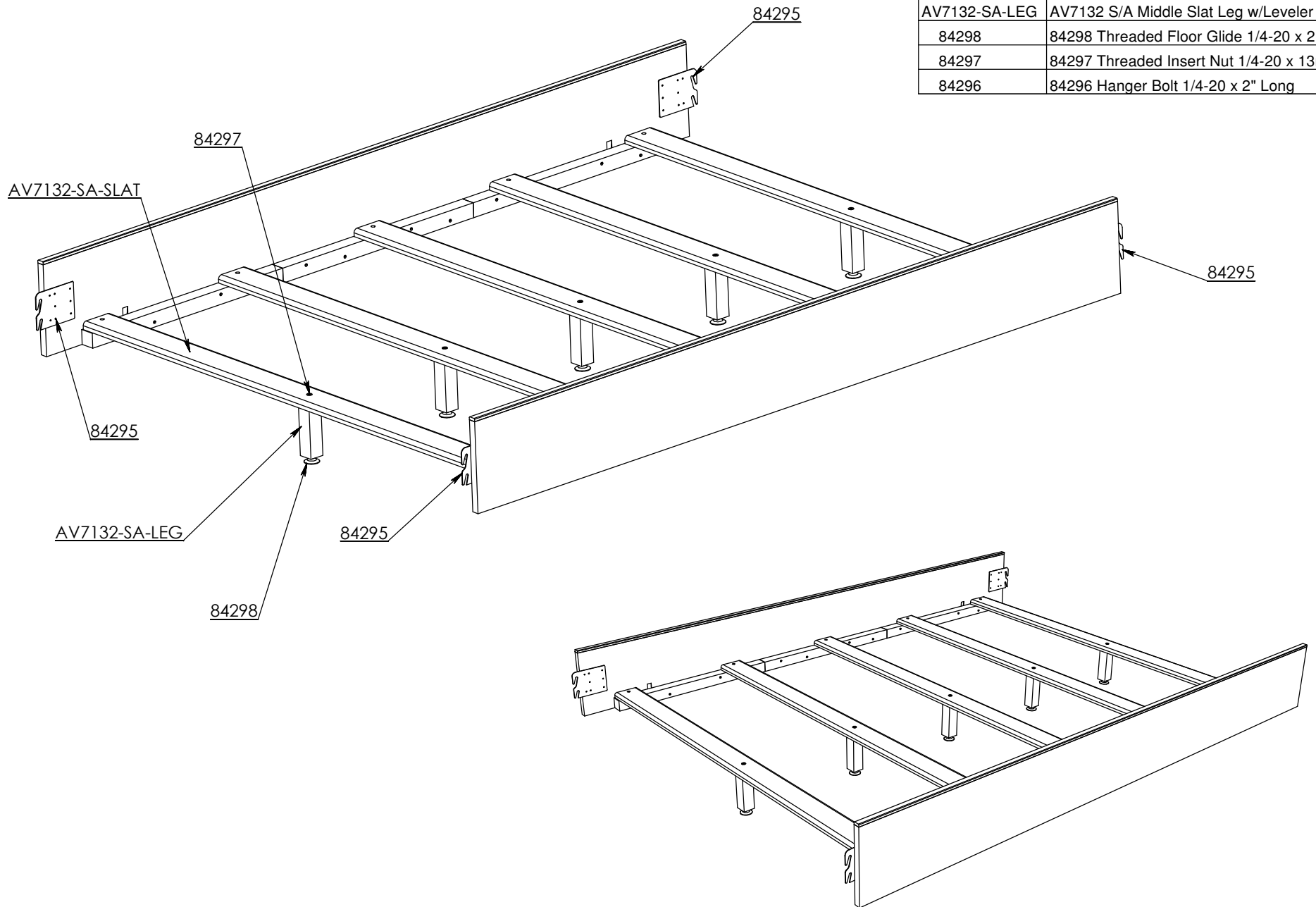
PART NUMBER	DESCRIPTION
84300	84300 Hook Rail Pin 1/4" x 1 3/8" Long



PART NUMBER	DESCRIPTION
84300	84300 Hook Rail Pin 1/4" x 1 3/8" Long

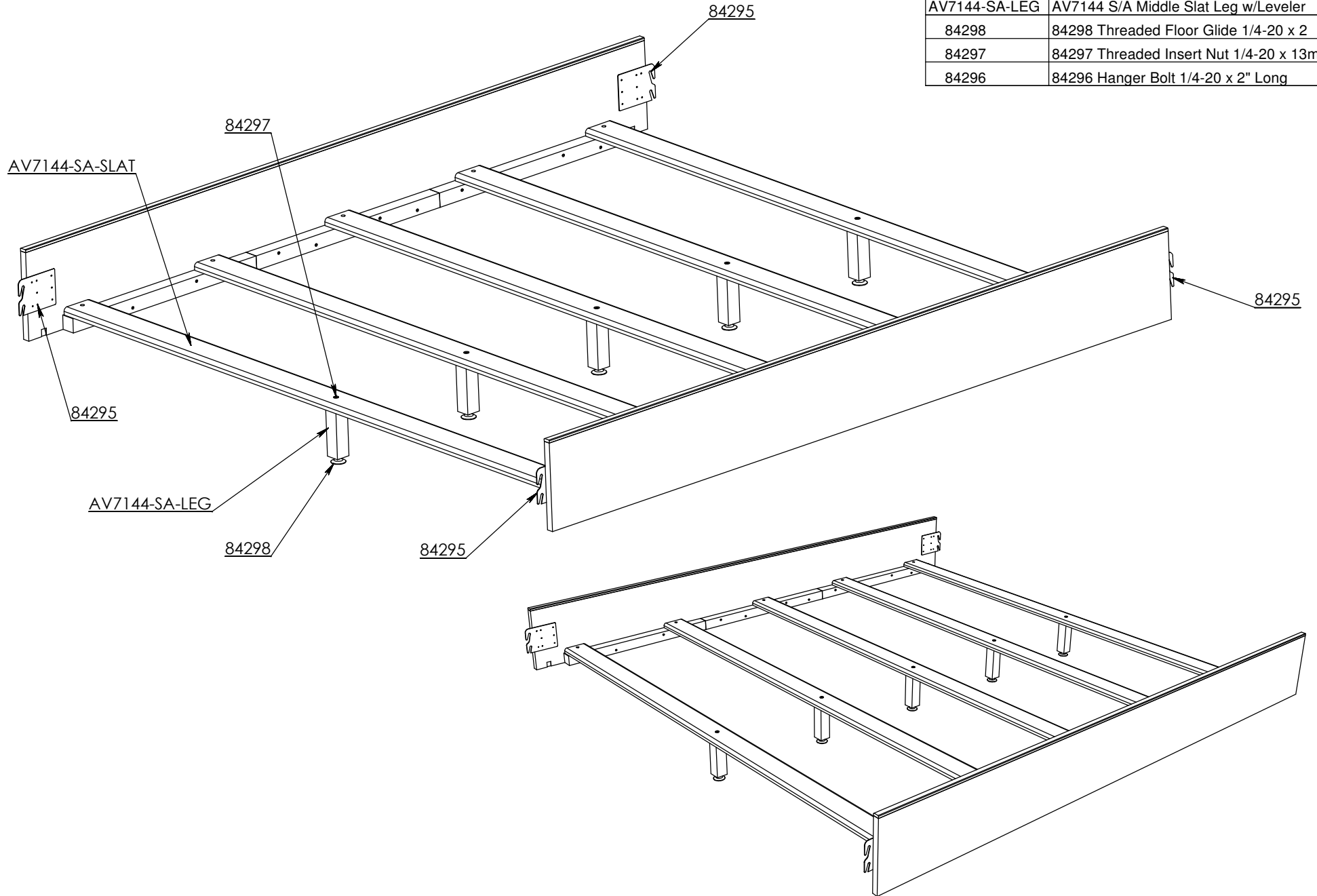


PART NUMBER	DESCRIPTION
84295	84295 Bed Rail Hook Bracket
AV7132-SA-SLAT	AV7132 S/A Queen Slat w/ Insert Nut
84297	84297 Threaded Insert Nut 1/4-20 x 13mm
AV7132-SA-LEG	AV7132 S/A Middle Slat Leg w/Leveler
84298	84298 Threaded Floor Glide 1/4-20 x 2
84297	84297 Threaded Insert Nut 1/4-20 x 13mm
84296	84296 Hanger Bolt 1/4-20 x 2" Long





PART NUMBER	DESCRIPTION
84295	84295 Bed Rail Hook Bracket
AV7144-SA-SLAT	AV7144 S/A King Slat w/ Insert Nut
84297	84297 Threaded Insert Nut 1/4-20 x 13mm
AV7144-SA-LEG	AV7144 S/A Middle Slat Leg w/Leveler
84298	84298 Threaded Floor Glide 1/4-20 x 2
84297	84297 Threaded Insert Nut 1/4-20 x 13mm
84296	84296 Hanger Bolt 1/4-20 x 2" Long



PART NUMBER	DESCRIPTION
84295	84295 Bed Rail Hook Bracket
AV7156-SA-SLAT	AV7156 S/A King Slat w/ Insert Nut
84297	84297 Threaded Insert Nut 1/4-20 x 13mm
AV7156-SA-LEG	AV7156 S/A Middle Slat Leg w/Leveler
84298	84298 Threaded Floor Glide 1/4-20 x 2
84297	84297 Threaded Insert Nut 1/4-20 x 13mm
84296	84296 Hanger Bolt 1/4-20 x 2" Long

