

# Legends Furniture

Part # JC6636

Part Description: JC6636 Joshua Creek Bookcase 11"

Date: 04/22/2014

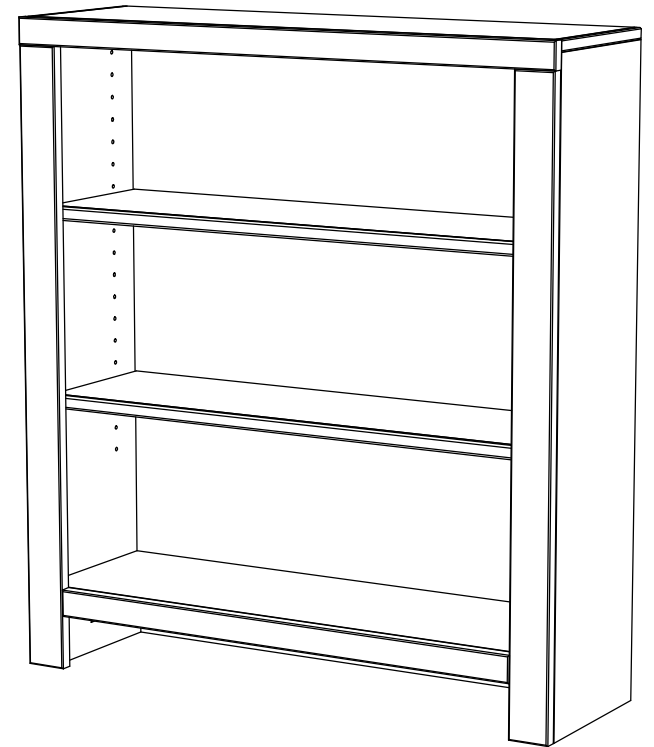
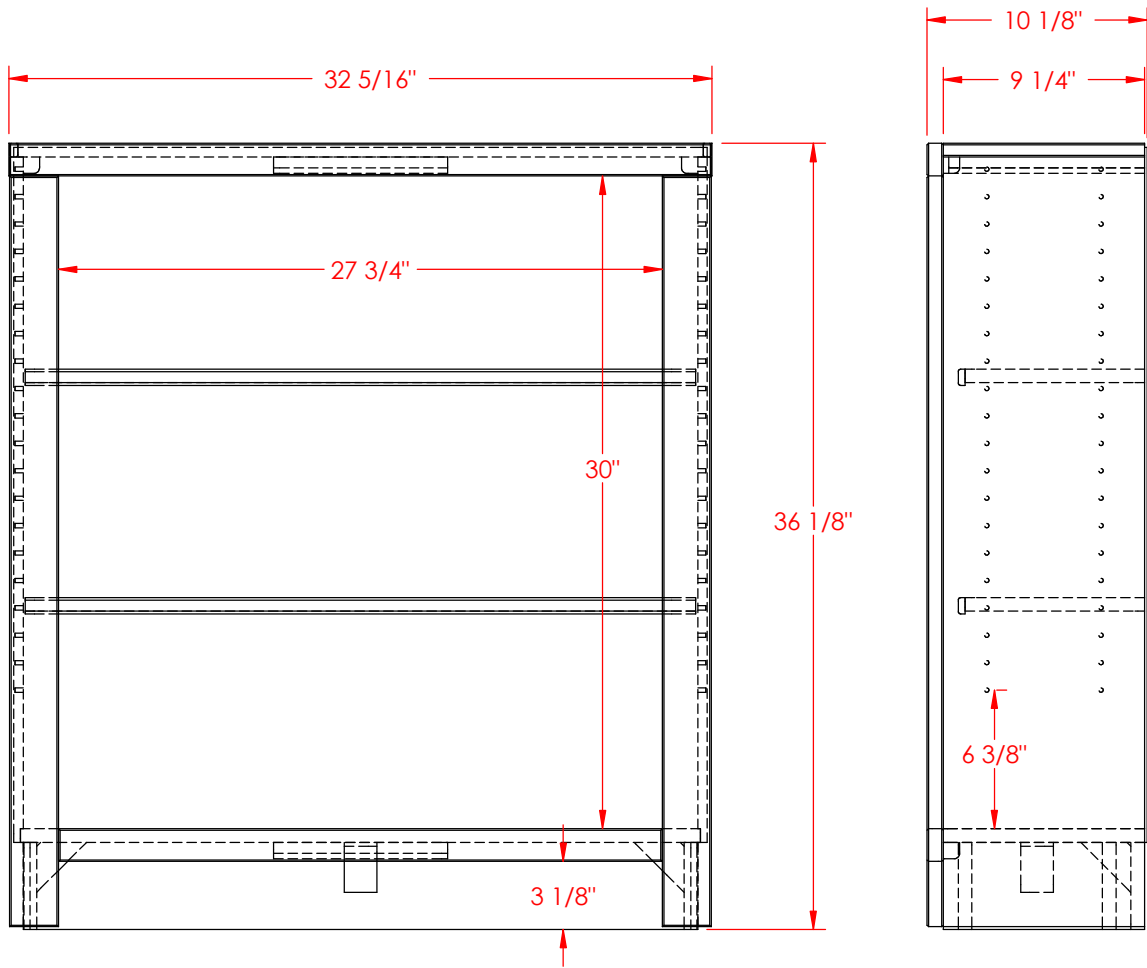
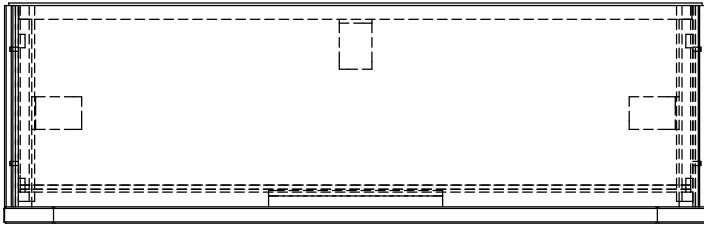
Material: Assembly

Width: 32 5/16"

Height: 36 1/8"

Depth: 10 1/8"

Drawn By: DaveH



Legends Furniture

Part # JC6648

Material: Assembly

Part Description: JC6648 Joshua Creek Bookcase 11"

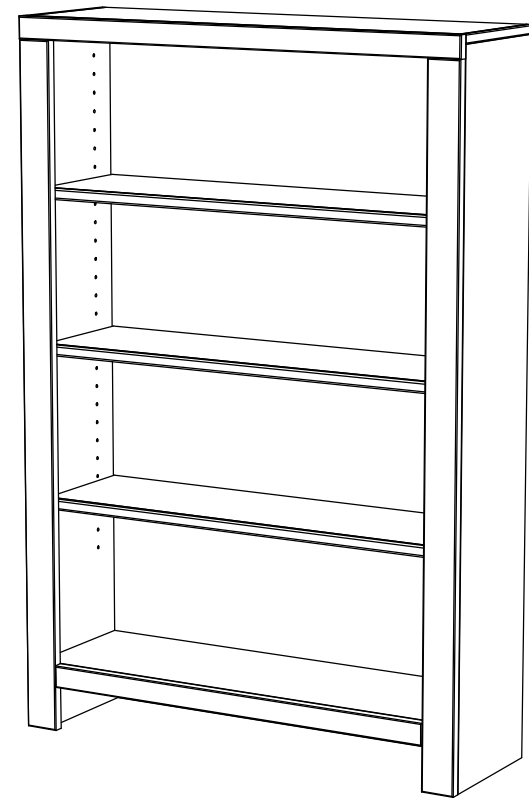
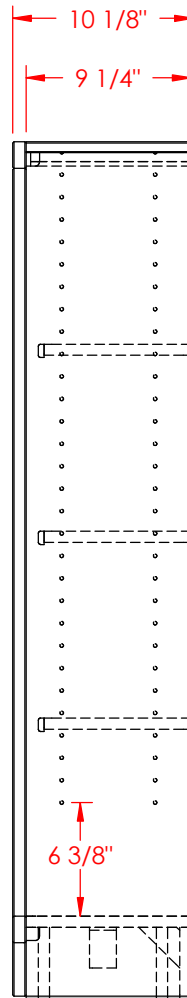
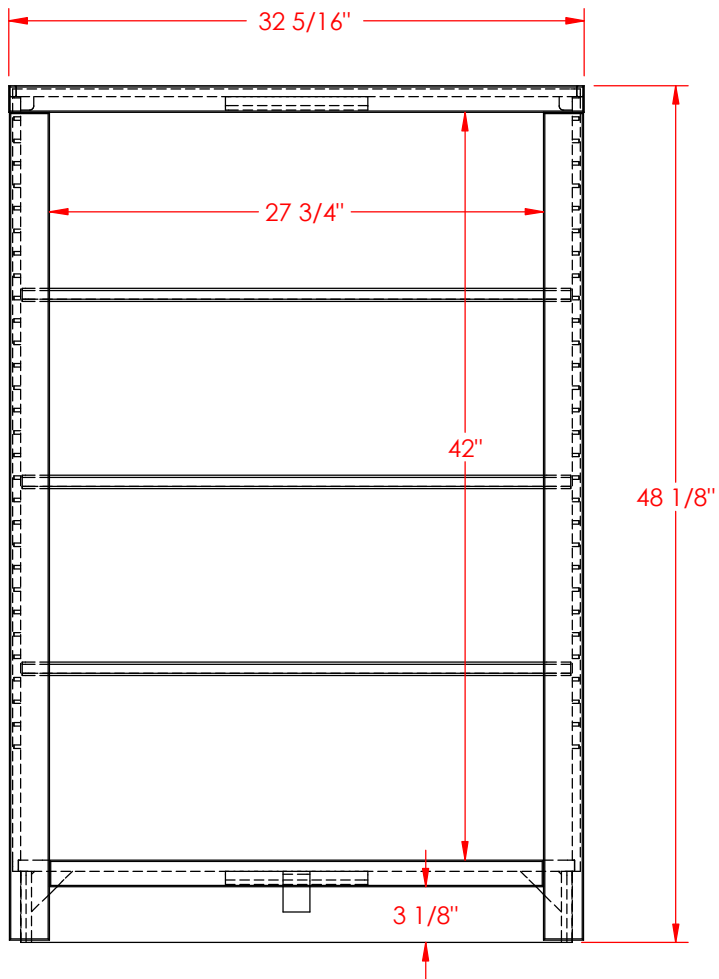
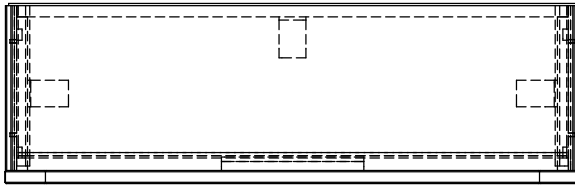
Width: 32 5/16"

Height: 48 1/8"

Depth: 10 1/8"

Date: 04/22/2014

Drawn By: DaveH



# Legends Furniture

Part # JC6660  
Material: Assembly

Part Description: JC6660 Joshua Creek Bookcase 11"

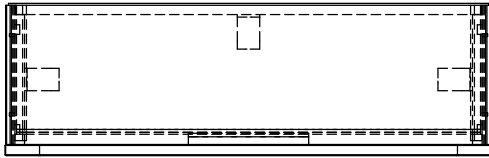
Date: 03/07/2014

Width: 32 5/16"

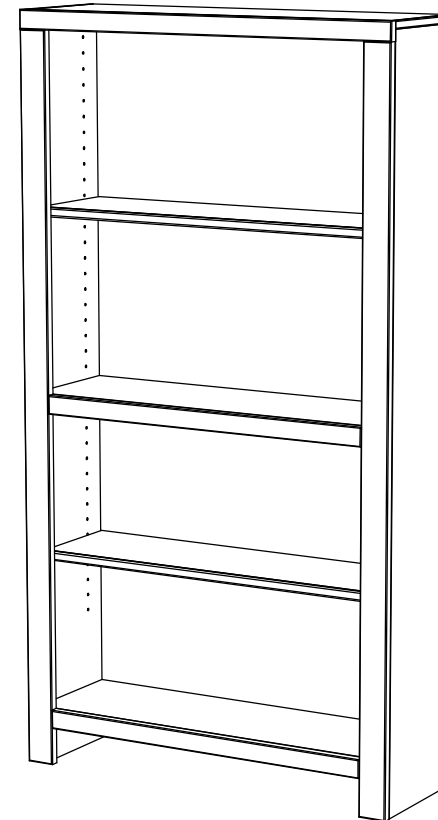
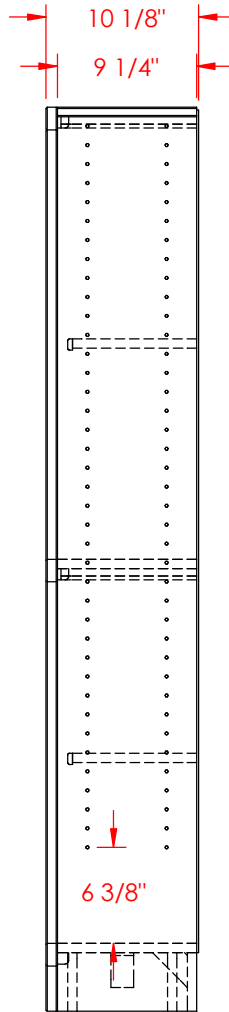
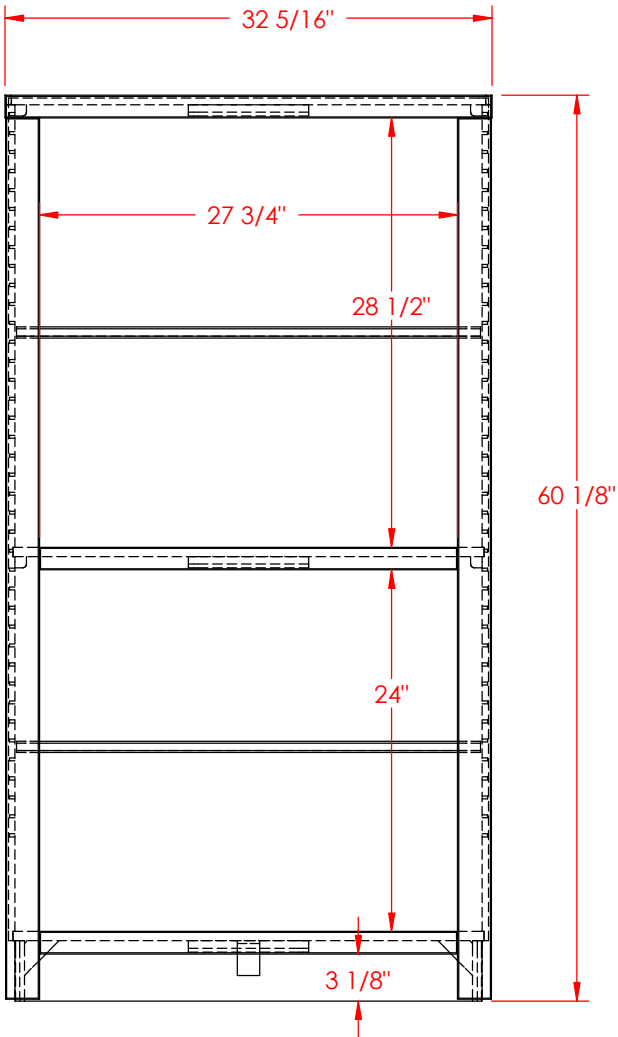
Height: 60 1/8"

Depth: 10 1/8"

Drawn By: DaveH



ITEM	QTY.	PART NO.	DESCRIPTION	MATERIAL	R-THK	R-WID	R-LENG	F-THK	F-WID	F-LENG
1	2	JC6660-SD	JC6660 Drilled Side Panel	C2 x 5/8 KntyAld PB				5/8"	9 1/4"	59 3/8"
2	2	JC6660-B	JC6660 Bottom Panel	C2 x 5/8 KntyAld PB				5/8"	9 1/4"	31 1/4"
3	1	JC6660-T	JC6660 Top Panel	C2 x 5/8 KntyAld PB				5/8"	9 1/4"	31 1/2"
4	2	JC6660-MET	JC6660 Top End Edge Molding	#226 KntyAld Mold				3/8"	5/8"	9 1/4"
5	2	JC6660-MV	JC6660 Vertical Molding	#232 KntyAld Mold				3/4"	2 1/4"	58 1/2"
6	2	JC6660-MH	JC6660 Horizontal Molding	#230 KntyAld Mold				3/4"	1 1/2"	27 3/4"
7	1	JC6660-MTF	JC6660 Front Top Molding	#230 KntyAld Mold				3/4"	1 1/2"	32 5/16"
8	1	JC6660-K	JC6660 Luan Backing	1/8" Luan Backing				1/8"	31 7/8"	55 15/16"
9	2	JC66XX-EB-HA	JC66XX Adjustable Shelf Pnl #80	Edge Banded	N/A	N/A	N/A	N/A	N/A	N/A
1	1	JC66XX-HA	JC66XX Adjustable Shelf Pnl #80	C2 x 5/8 KntyAld PB				5/8"	8 1/4"	30 13/16"
1	1	EB2253400	Knotty Alder E/B Molding	#225 KntyAld Mold				5/16"	7/8"	34"
10	4	10143	10143 Pine Nailer	#76 Pine Nailer				3/4"	3/4"	9"
11	3	10101	10101 Pine Nailer	#76 Pine Molding				3/4"	3/4"	8"
12	1	JC6660-NBK	JC6660 Bottom Rear Spreader	CCX Fir Plywood				5/8"	4"	30 15/16"
13	2	SSF-0640810	SSF-0640810 Side Support Block	CCX Fir Plywood				5/8"	4"	8 5/8"
14	3	10168	10168 Angled Support Nail	#116A Pine Nailer				1 1/2"	1 1/2"	3 1/4"
15	8	84232	5mm Riveted Pin Shelf Support With Hole	Raw Material				N/A	N/A	N/A
16	1	84214	Furniture Tipping Restraint Kit	Raw Material				N/A	N/A	N/A
17	1	JC6660-P	JC6660 Cardboard Carton	Cardboard Carton				60 1/8"	32 1/4"	10 1/8"



# Legends Furniture

Part # JC6672  
Material: Assembly

Part Description: JC6672 Joshua Creek Bookcase 11"

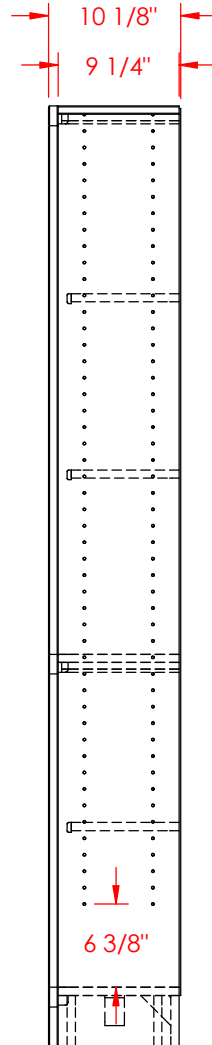
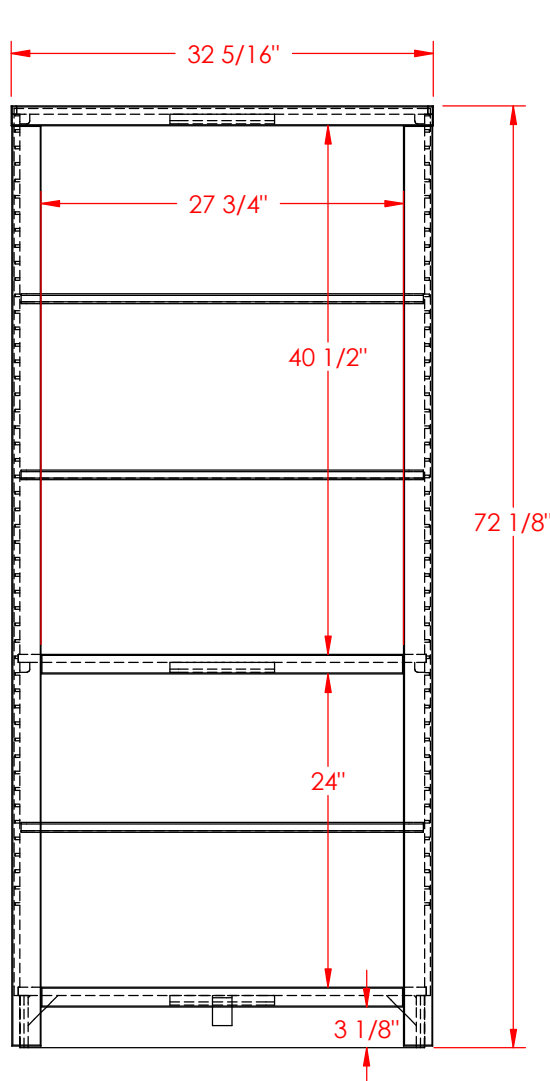
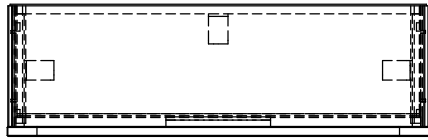
Date: 03/07/2014

Width: 32 5/16"

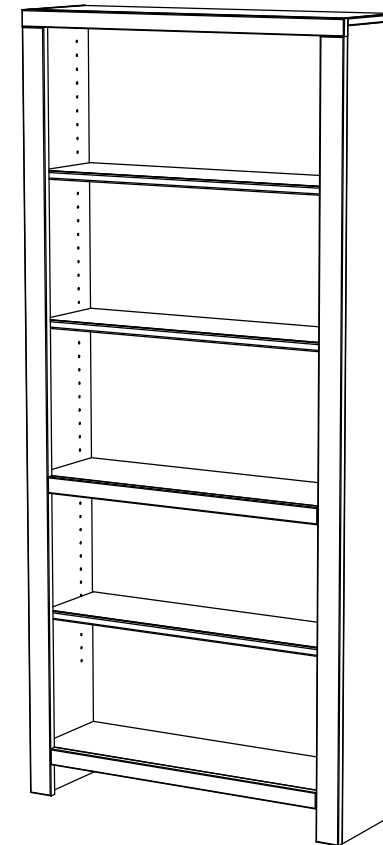
Height: 72 1/8"

Depth: 10 1/8"

Drawn By: DaveH



ITEM	QTY	PART NO.	DESCRIPTION	MATERIAL	R-THK	R-WID	R-LENG	F-THK	F-WID	F-LENG
1	2	JC6672-SD	JC6672 Drilled Side Panel	C2 x 5/8 KntyAld PB				5/8"	9 1/4"	71 3/8"
2	2	JC6672-B	JC6672 Bottom Panel	C2 x 5/8 KntyAld PB				5/8"	9 1/4"	31 1/4"
3	1	JC6672-T	JC6672 Top Panel	C2 x 5/8 KntyAld PB				5/8"	9 1/4"	31 1/2"
4	2	JC6672-MET	JC6672 Top End Edge Molding	#226 KntyAld Mold				3/8"	5/8"	9 1/4"
5	2	JC6672-MV	JC6672 Vertical Molding	#232 KntyAld Mold				3/4"	2 1/4"	70 1/2"
6	2	JC6672-MH	JC6672 Horizontal Molding	#230 KntyAld Mold				3/4"	1 1/2"	27 3/4"
7	1	JC6672-MTF	JC6672 Front Top Molding	#230 KntyAld Mold				3/4"	1 1/2"	32 5/16"
8	1	JC6672-K	JC6672 Luan Backing	1/8" Luan Backing				1/8"	31 7/8"	67 15/16"
9	3	JC66XX-EB-HA	JC66XX Adjustable Shelf Pnl #80	Edge Banded	N/A	N/A	N/A	N/A	N/A	N/A
	1	JC66XX-HA	JC66XX Adjustable Shelf Pnl #80	C2 x 5/8 KntyAld PB				5/8"	8 1/4"	30 13/16"
	1	EB2253400	Knotty Alder E/B Molding	#225 KntyAld Mold				5/16"	7/8"	34"
10	4	10143	10143 Pine Nailer	#76 Pine Molding				3/4"	3/4"	9"
11	3	10101	10101 Pine Nailer	#76 Pine Molding				3/4"	3/4"	8"
12	1	JC6672-NBK	JC6672 Bottom Rear Spreader	CCX Fir Plywood				5/8"	4"	30 15/16"
13	2	SSF-0640810	SSF-0640810 Side Support Block	CCX Fir Plywood				5/8"	4"	8 5/8"
14	3	10168	10168 Angled Support Nailer	#116A Pine Nailer				1 1/2"	1 1/2"	3 1/4"
15	12	84232	5mm Riveted Pin Shelf Support With Hole	Raw Material				N/A	N/A	N/A
16	1	84214	Furniture Tipping Restraint Kit	Raw Material				N/A	N/A	N/A
17	1	JC6672-P	JC6672 Cardboard Carton	Cardboard Carton				72 7/8"	32 1/4"	10 1/8"

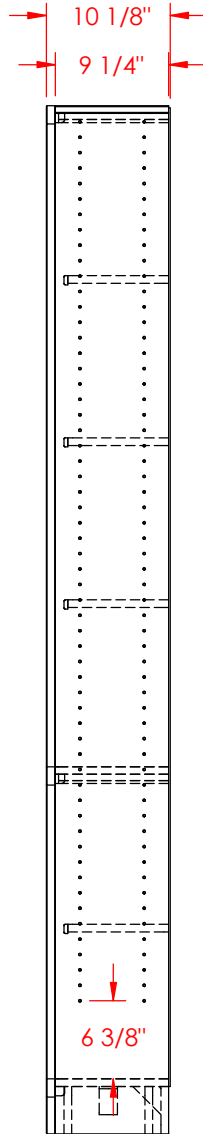
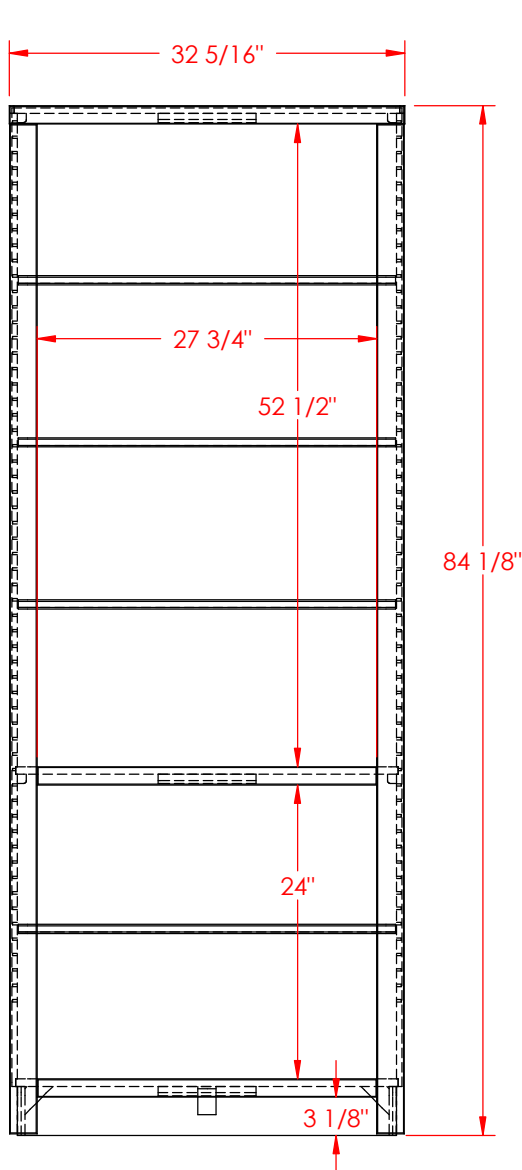
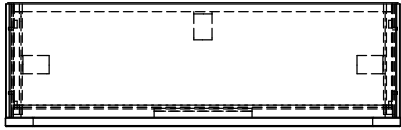


# Legends Furniture

Part # JC6684  
Material: Assembly

Part Description: JC6684 Joshua Creek Bookcase 11"  
Width: 32 5/16" Height: 84 1/8" Depth: 10 1/8"

Date: 03/07/2014  
Drawn By: DaveH



ITEM	QTY	PART NO.	DESCRIPTION	MATERIAL	R-THK	R-WID	R-LENG	F-THK	F-WID	F-LENG
1	2	JC6684-SD	JC6684 Drilled Side Panel	C2 x 5/8 KntyAld PB				5/8"	9 1/4"	83 3/8"
2	2	JC6684-B	JC6684 Bottom Panel	C2 x 5/8 KntyAld PB				5/8"	9 1/4"	31 1/4"
3	1	JC6684-T	JC6684 Top Panel	C2 x 5/8 KntyAld PB				5/8"	9 1/4"	31 1/2"
4	2	JC6684-MET	JC6684 Top End Edge Molding	#226 KntyAld Mold				3/8"	5/8"	9 1/4"
5	2	JC6684-MV	JC6684 Vertical Molding	#232 KntyAld Mold				3/4"	2 1/4"	82 1/2"
6	2	JC6684-MH	JC6684 Horizontal Molding	#230 KntyAld Mold				3/4"	1 1/2"	27 3/4"
7	1	JC6684-MTF	JC6684 Front Top Molding	#230 KntyAld Mold				3/4"	1 1/2"	32 5/16"
8	1	JC6684-K	JC6684 Luan Backing	1/8" Luan Backing				1/8"	31 7/8"	79 15/16"
9	4	JC66XX-EB-HA	JC66XX Adjustable Shelf Pnl #80	Edge Banded	N/A	N/A	N/A	N/A	N/A	N/A
	1	JC66XX-HA	JC66XX Adjustable Shelf Pnl #80	C2 x 5/8 KntyAld PB				5/8"	8 1/4"	30 13/16"
	1	EB2253400	Knotty Alder E/B Molding	#225 KntyAld Mold				5/16"	7/8"	34"
10	4	10143	10143 Pine Nail	#76 Pine Molding				3/4"	3/4"	9"
11	3	10101	10101 Pine Nail	#76 Pine Molding				3/4"	3/4"	8"
12	1	JC6684-NBK	JC6684 Bottom Rear Spreader	CCX Fir Plywood				5/8"	4"	30 15/16"
13	2	SSF-0640810	SSF-0640810 Side Support Block	CCX Fir Plywood				5/8"	4"	8 5/8"
14	3	10168	10168 Angled Support Nail	#116A Pine Nail				1 1/2"	1 1/2"	3 1/4"
15	16	84232	5mm Riveted Pin Shelf Support With Hole	Raw Material				N/A	N/A	N/A
16	1	84214	Furniture Tipping Restraint Kit	Raw Material				N/A	N/A	N/A
17	1	JC6684-P	JC6684 Cardboard Carton	Cardboard Carton				84 3/4"	32 1/4"	10 1/8"

