

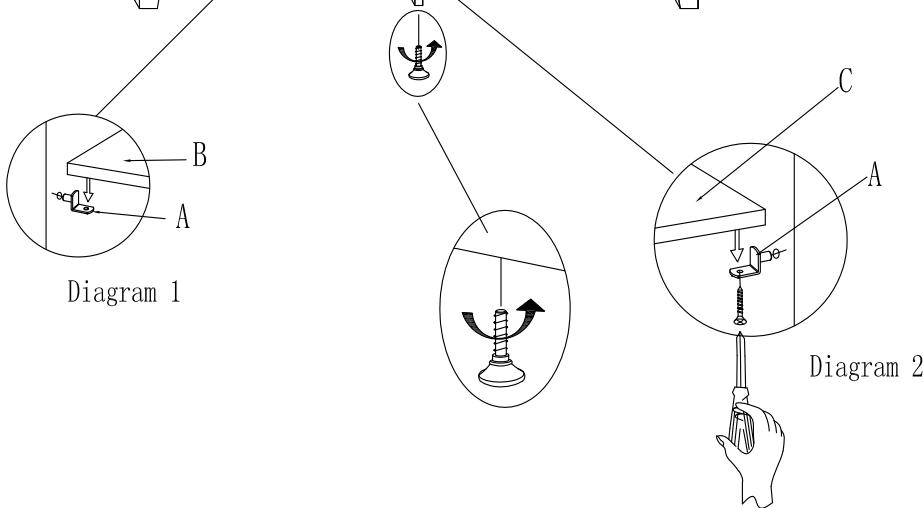
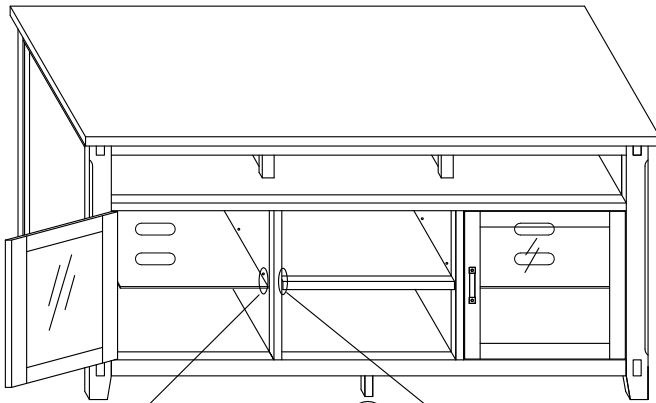




Restoration Assembly Instructions

*ZRST-1970 Restoration 72" TV Stand

PART#	DESCRIPTION		QTY
A	Shelf holder		8
B	Glass shelf panel		2



1. To place the Glass Shelf (B): first open the door and insert four same shelf holders (A) into the pre-drilled holes. Place the glass shelf (B) on the shelf holders.(See Diagram 1)
2. The wood shelf panel (C) is set up in packing, but you can adjust it with phillips head screwdriver. (See Diagram 2)

Thanks for choosing Legends furniture!