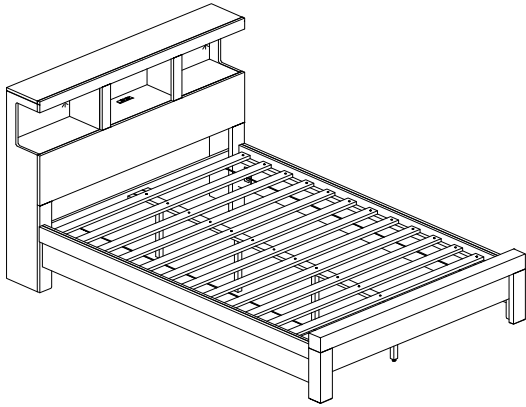





Novella Assembly Instructions

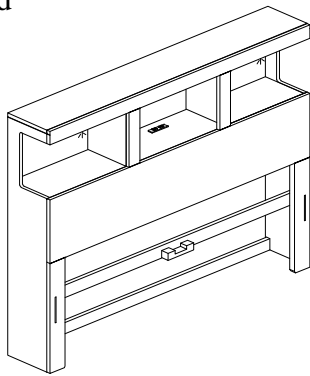
ZNOV-7001 - Queen Headboard
 ZNOV-7002 - Queen Footboard
 ZNOV-7003 - Queen Rails



Hardware for Queen Rails		
Part #	Description	QTY
①	Wood Screw	 28 PCS

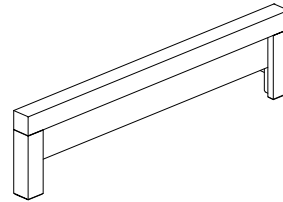
PARTS DESCRIPTION

A. Headboard



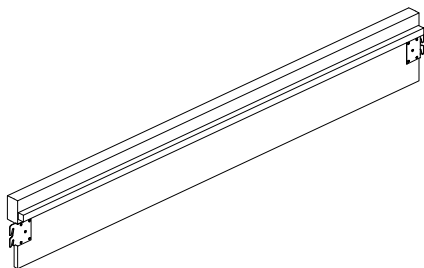
1 PC.

B. Footboard



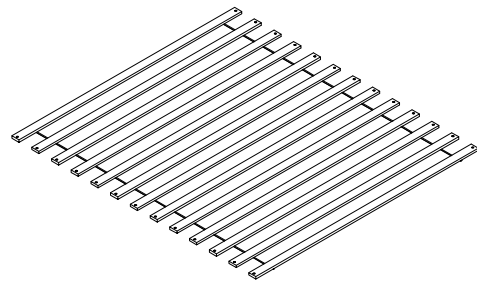
1 PC.

C. Side Rails



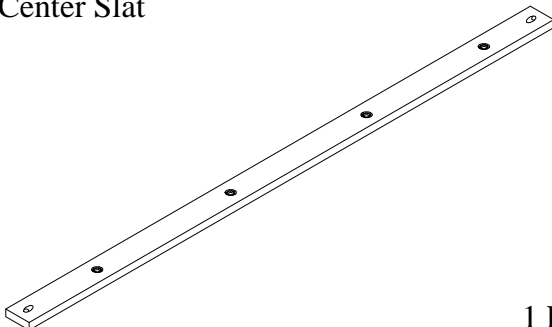
2 PCS.

D. Slats



1 Roll.

E. Center Slat



1 PC.

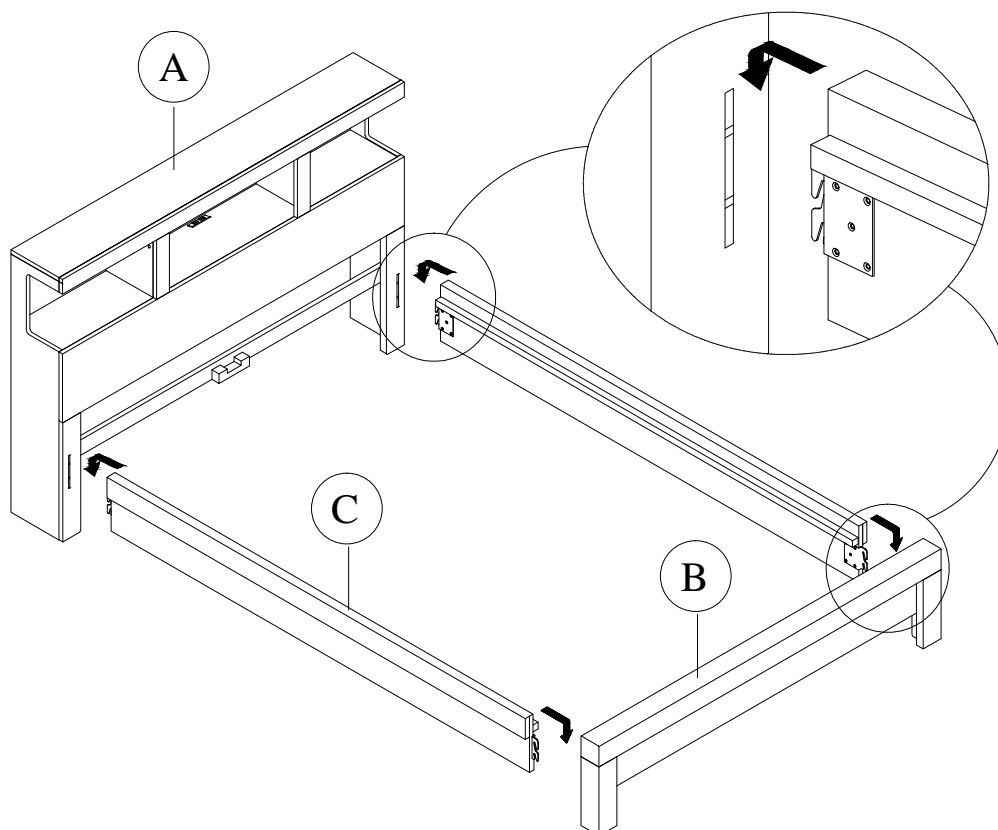
F. Support Legs



4 PCS.

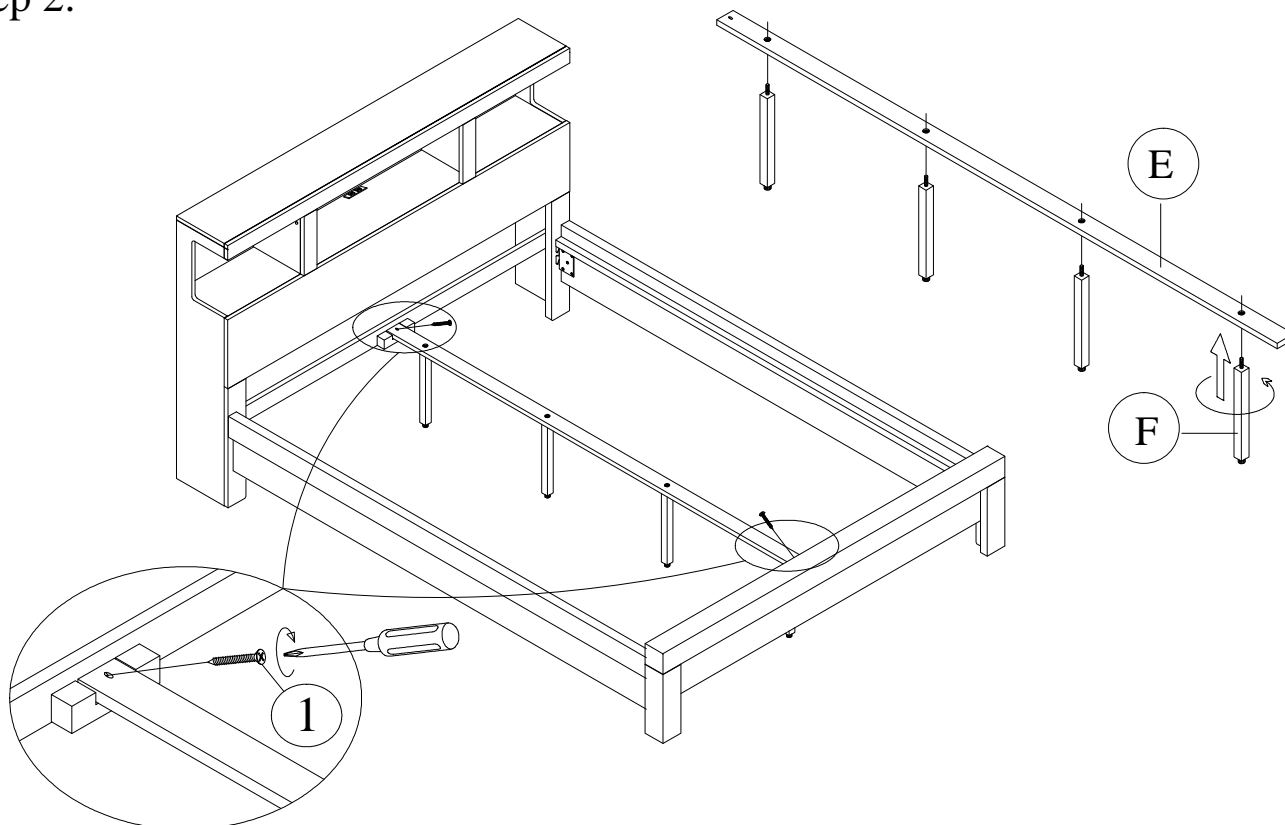
Thank you for choosing Legends Furniture!

Step 1:



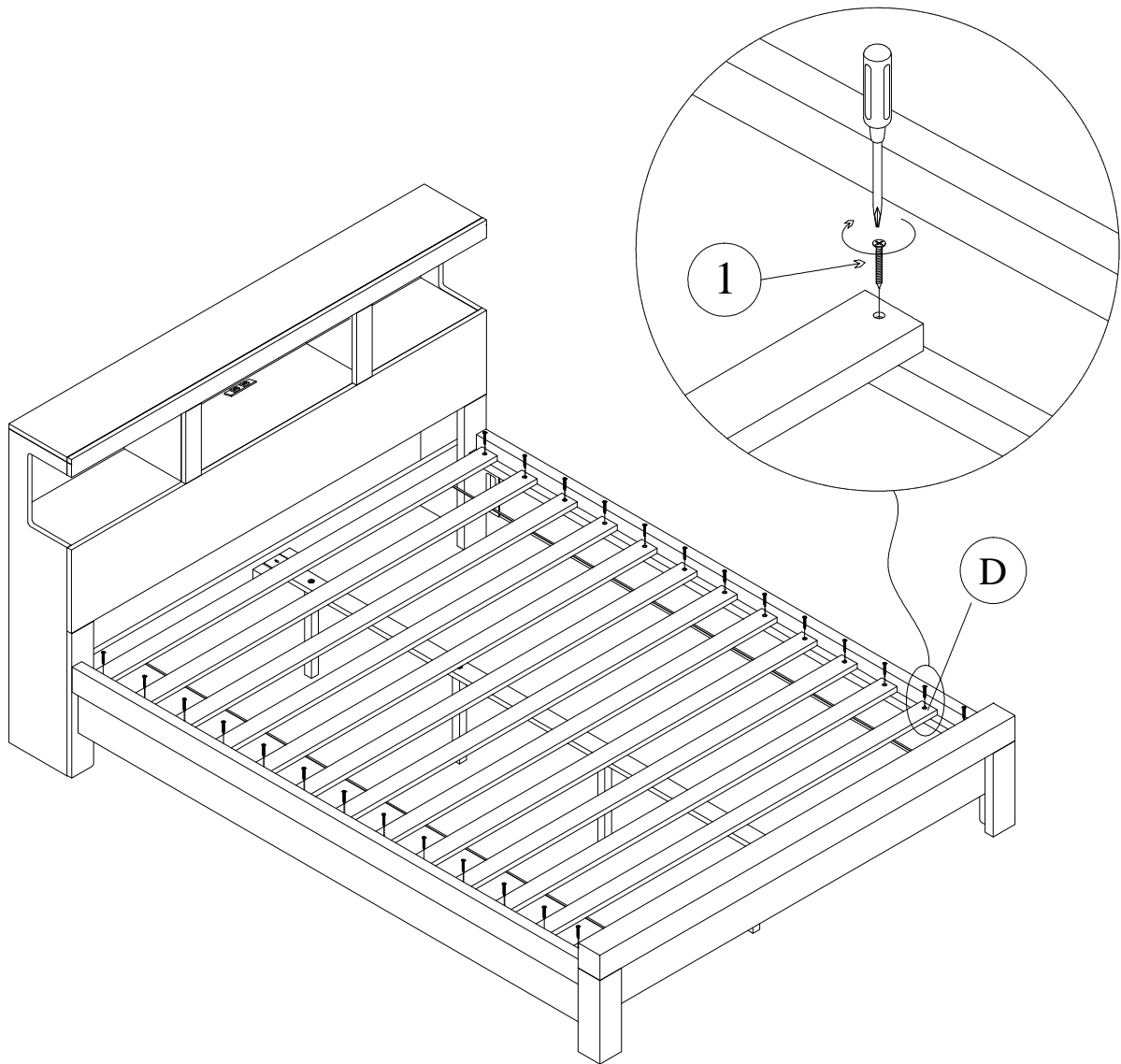
1. Hook the side rails to headboard (A) and footboard (B).

Step 2:



1. Connect support legs (F) to center slat (E).
2. Insert screws (1) into the center slat holes & secure by using a Philip's Head Screwdriver. (Not included).

Step 3:



1. Insert screws (1) into the slat holes & secure by using a Philip's Head Screwdriver. (Not included).

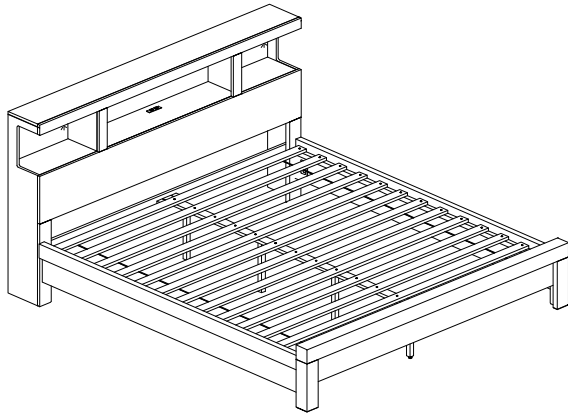



Novella Assembly Instructions

ZNOV-7004 - King Headboard

ZNOV-7005 - King Footboard

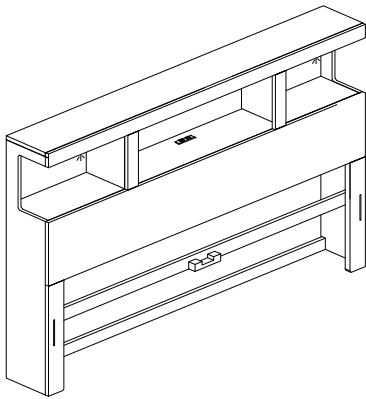
ZNOV-7006 - King Rails



Hardware for Queen Rails			
Part #	Description		QTY
①	Wood Screw		28 PCS

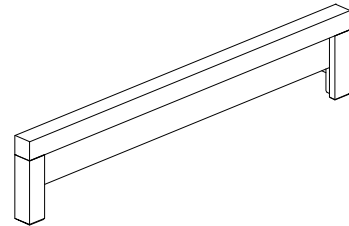
PARTS DESCRIPTION

A. Headboard



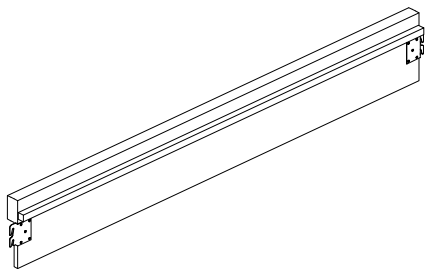
1 PC.

B. Footboard



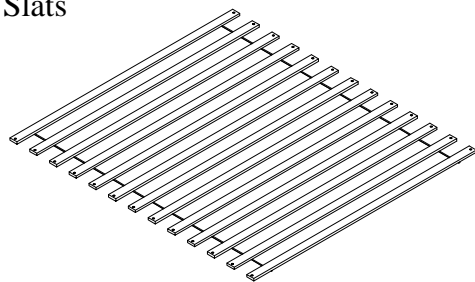
1 PC.

C. Side Rails



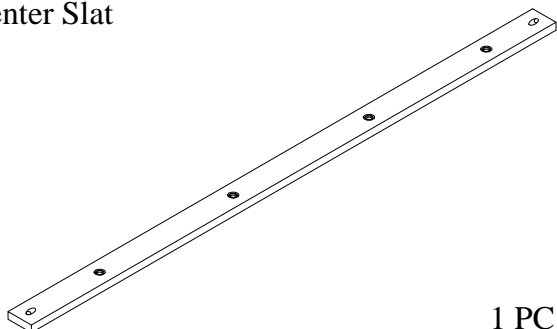
2 PCS.

D. Slats



1 Roll.

E. Center Slat



1 PC.

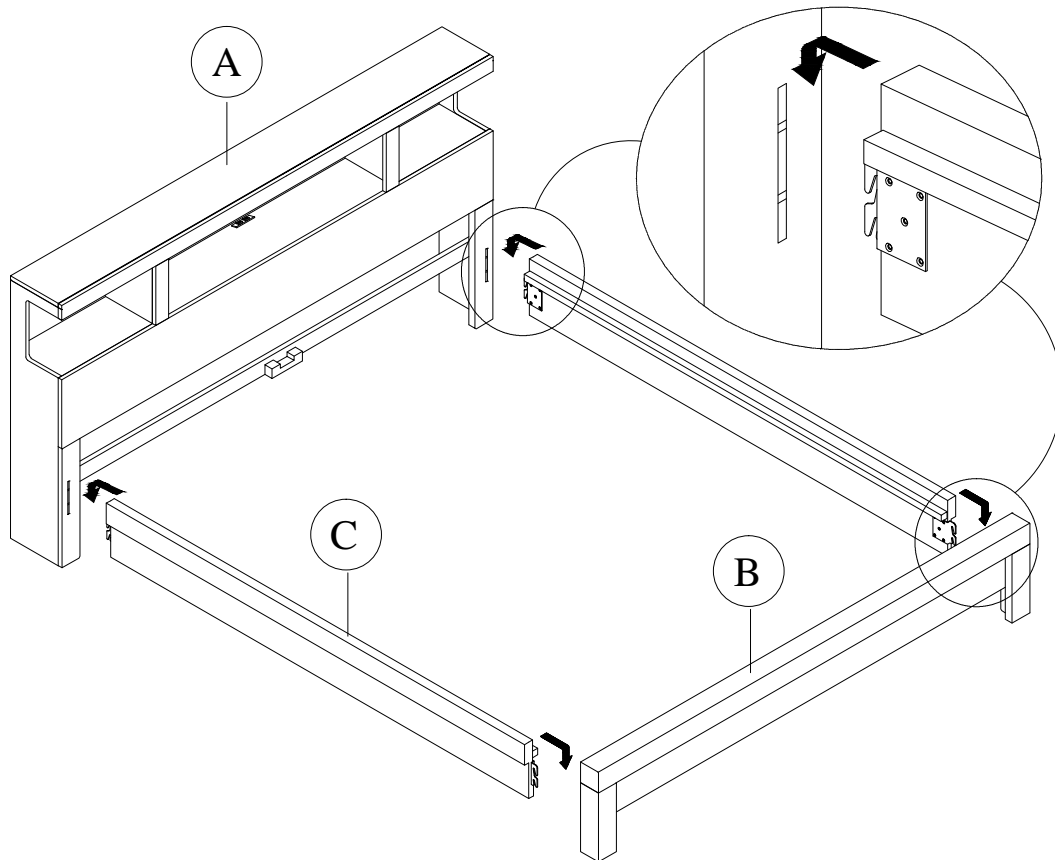
F. Support Legs



4 PCS.

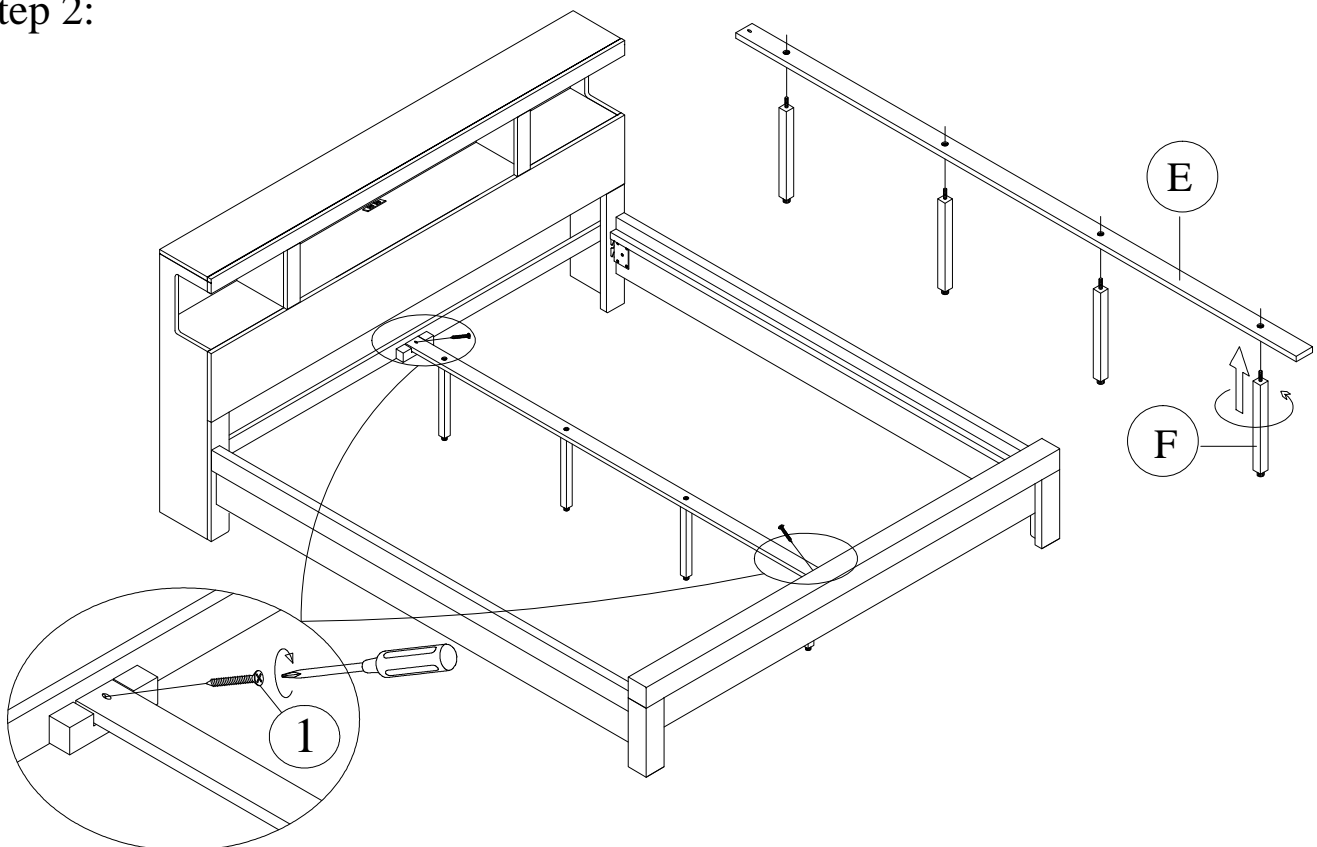
Thank you for choosing Legends Furniture!

Step 1:



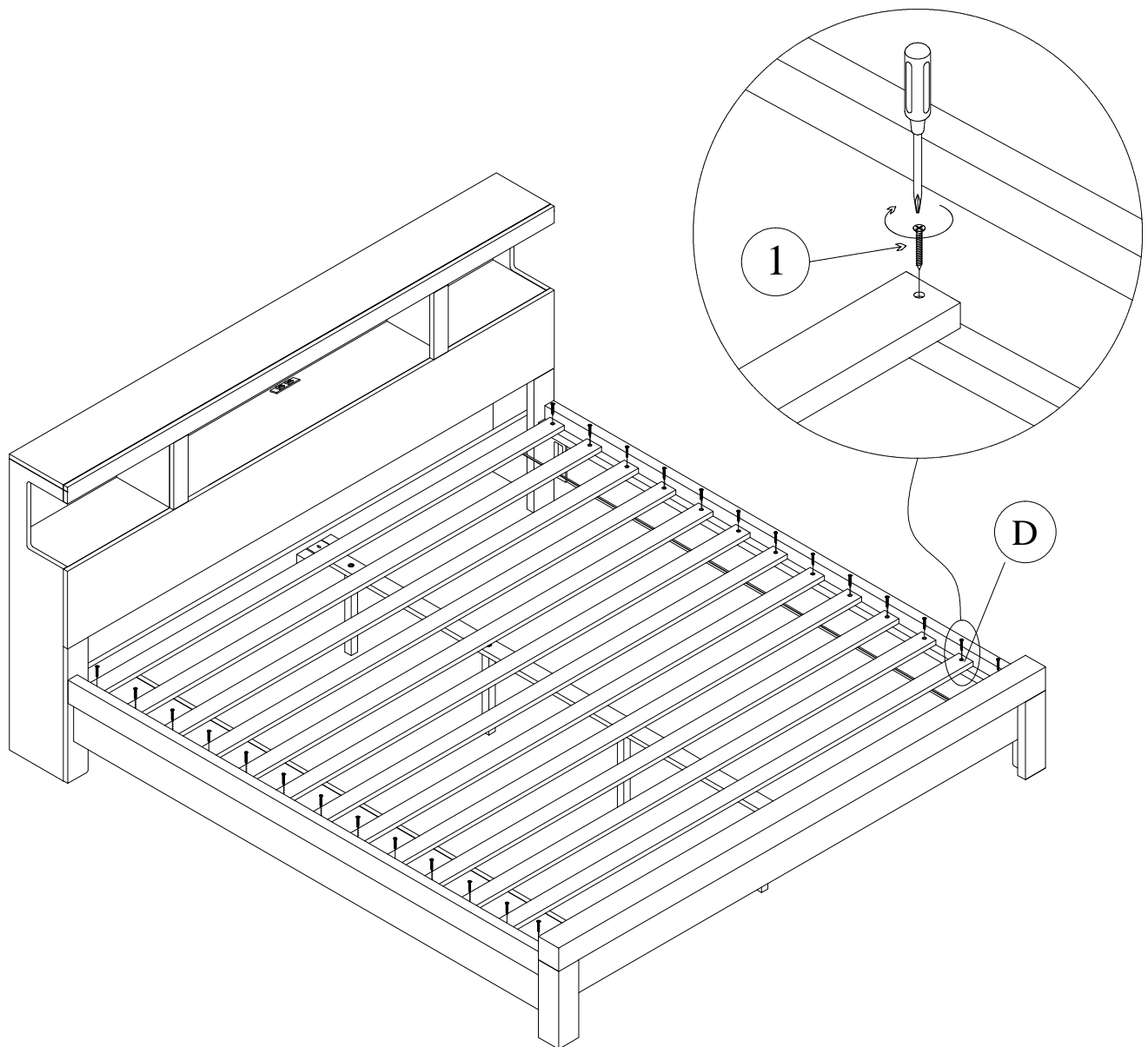
1. Hook the side rails to headboard (A) and footboard (B).

Step 2:



1. Connect support legs (F) to center slat (E).
2. Insert screws (1) into the center slat holes & secure by using a Philip's Head Screwdriver. (Not included).

Step 3:



1. Insert screws (1) into the slat holes & secure by using a Philip's Head Screwdriver. (Not included).

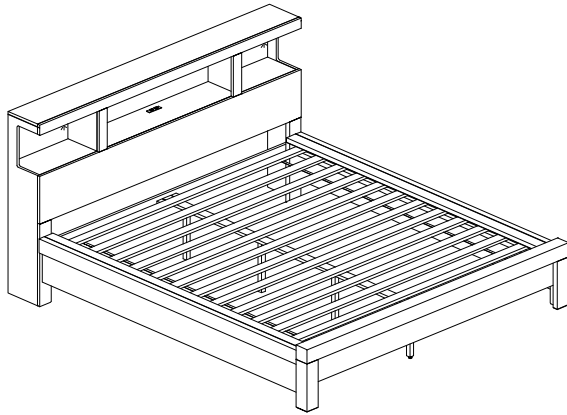


Novella Assembly Instructions

ZNOV-7004 - King Headboard

ZNOV-7005 - King Footboard

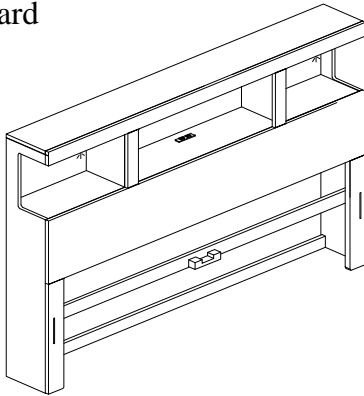
ZNOV-7011 - Cal King Rails



Hardware for Queen Rails			
Part #	Description		QTY
①	Wood Screw		28 PCS
②	Bolts 1/4" x 57mm		10 PCS
③	Lock Washer 1/4"		10 PCS
④	Flat Washer 1/4" x 13mm		10 PCS
⑤	Allen Wrench		1 PC

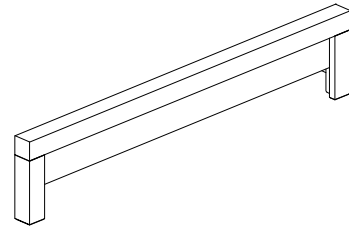
PARTS DESCRIPTION

A. Headboard



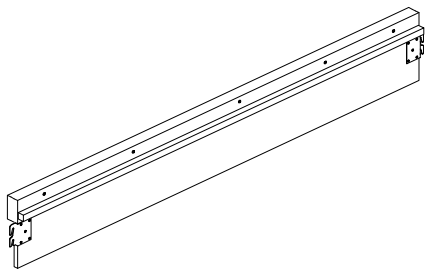
1 PC.

B. Footboard



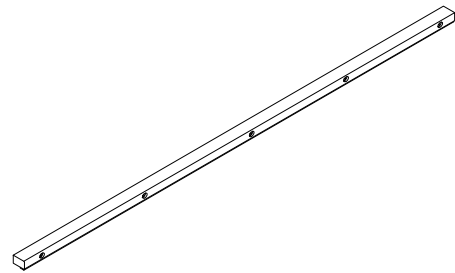
1 PC.

C. Side Rails



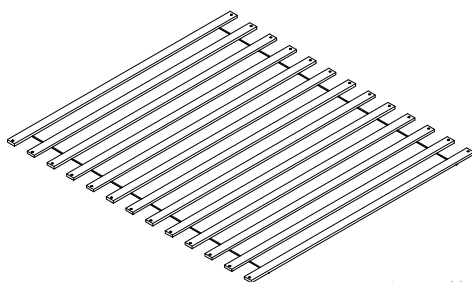
2 PCS.

D. Side Top Rails



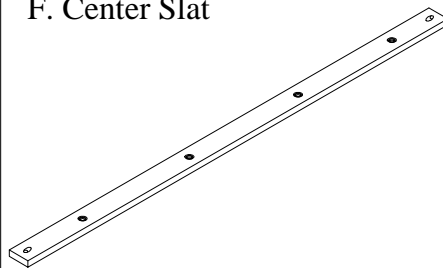
2 PCS.

E. Slats



1 Roll.

F. Center Slat



1 PC.

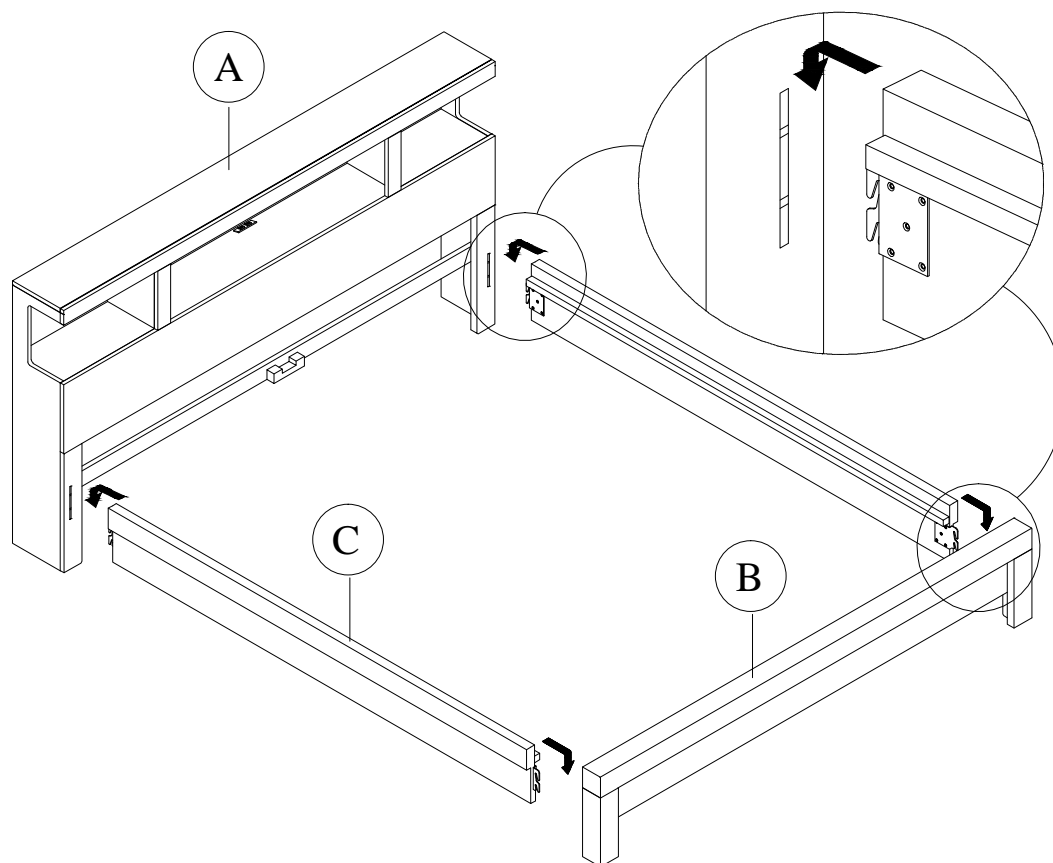
G. Support Legs



4 PCS.

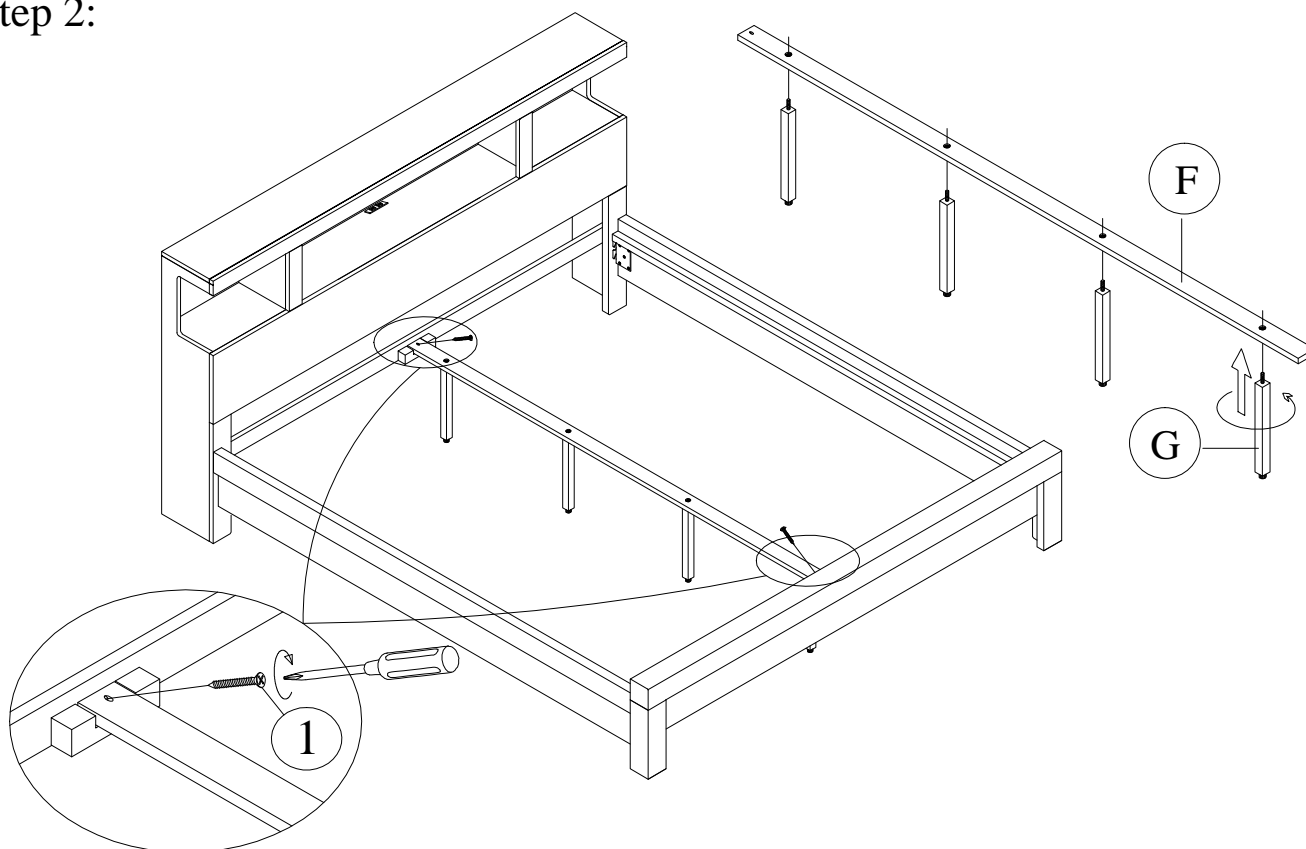
Thank you for choosing Legends Furniture!

Step 1:



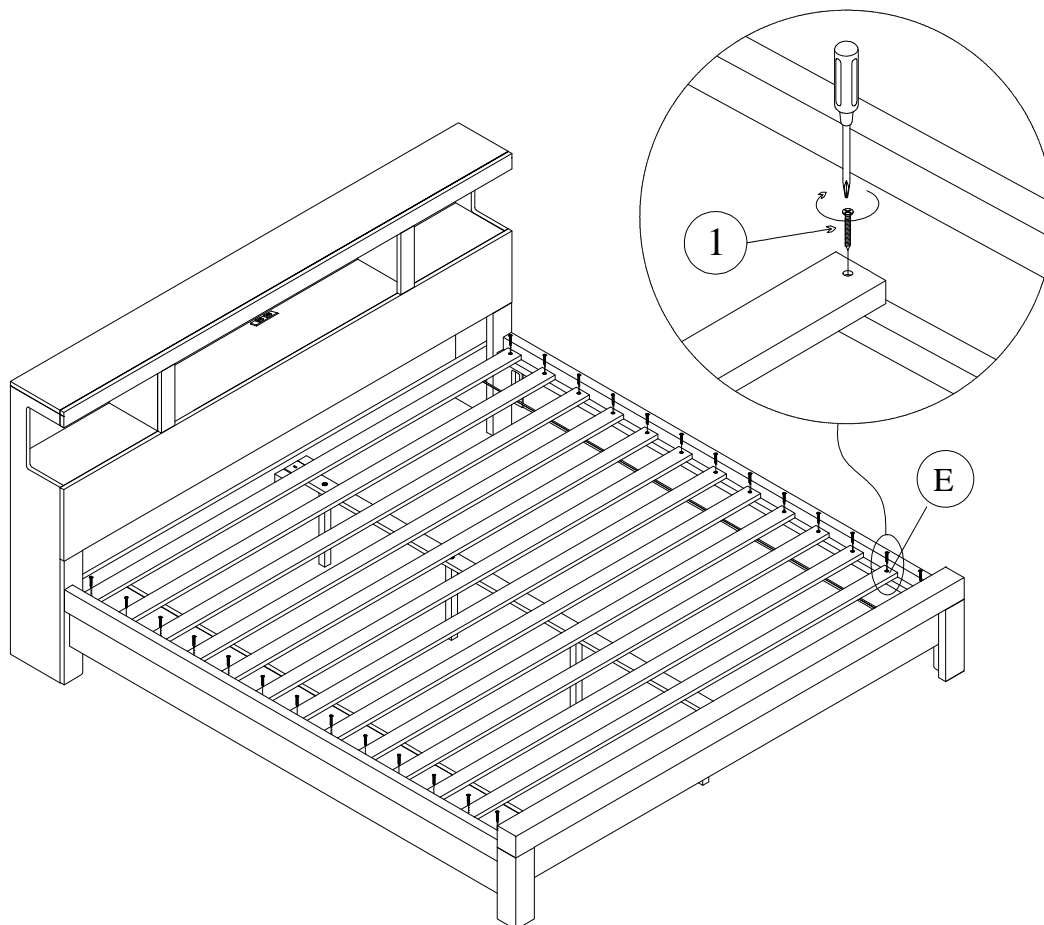
1. Hook the side rails to headboard (A) and footboard (B).

Step 2:



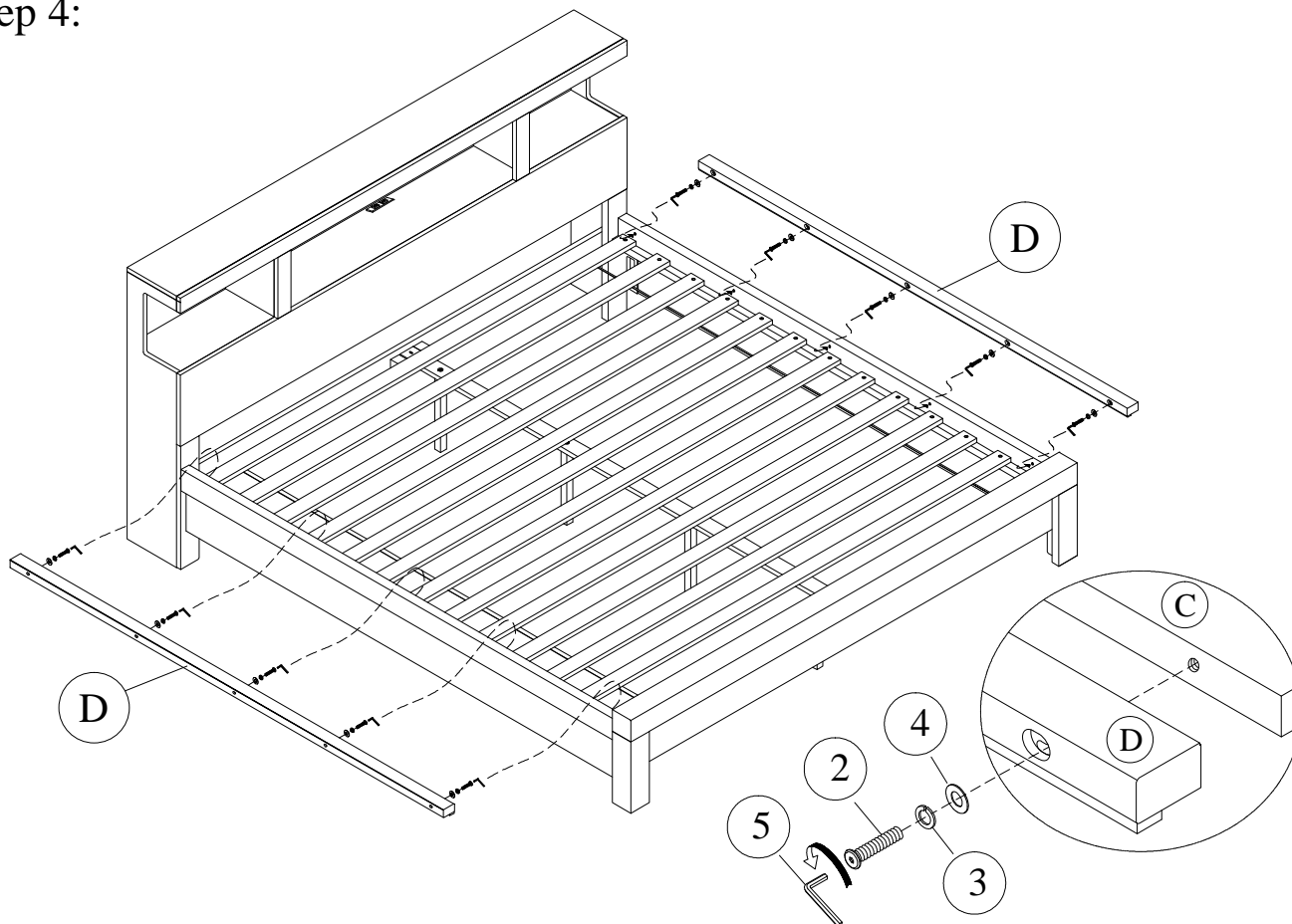
1. Connect support legs (G) to center slat (F).
2. Insert screws (1) into the center slat holes & secure by using a Philip's Head Screwdriver. (Not included).

Step 3:



1. Insert screws (1) into the slat holes & secure by using a Philip's Head Screwdriver. (Not included).

Step 4:

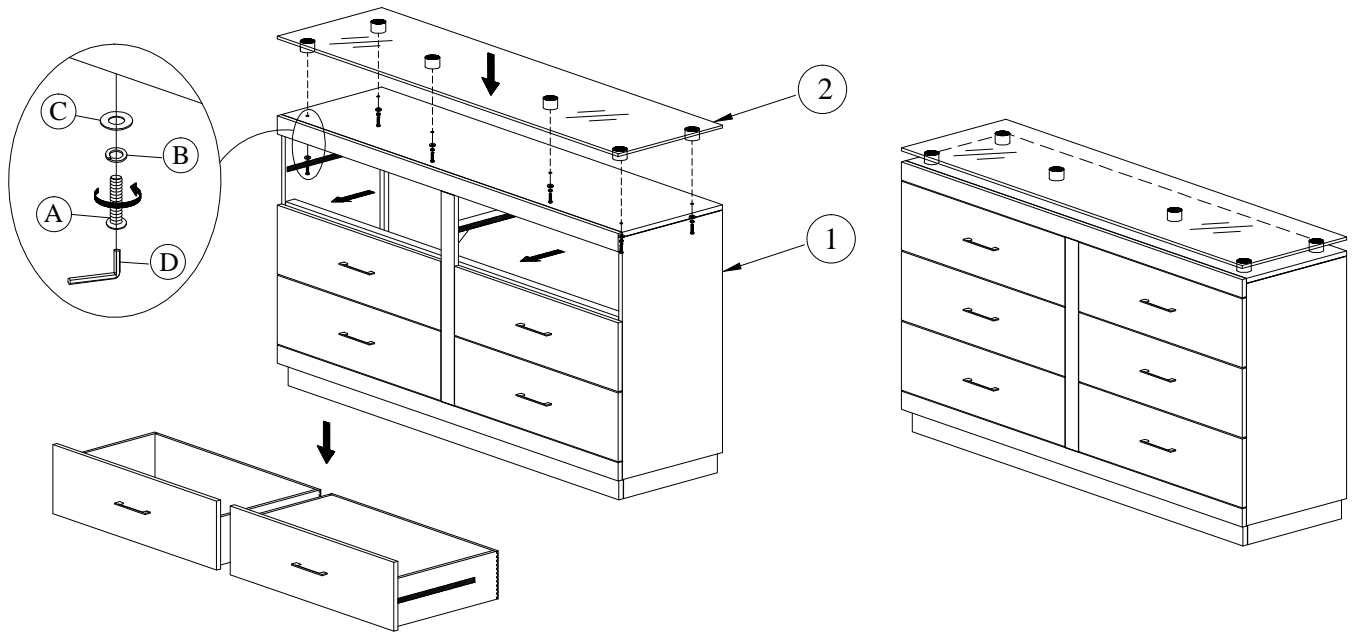


1. Attach side top rail (D) to side rails (C) by using bolts (2), lock washer (3), flat washer (4), with Allen Wrench (5).

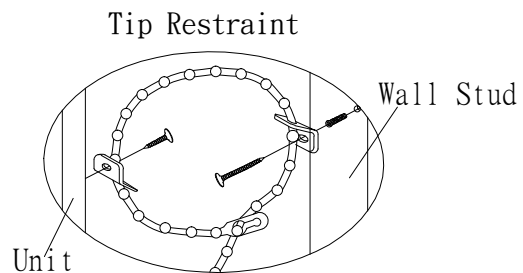


Novella Assembly Instructions

ZNOV-7013 Dresser



PART#	DESCRIPTION	QTY
①	Dresser	1 PC
②	Top Glass	1 PC
Ⓐ	Bolts 1/4" x 40mm	6 PCS
Ⓑ	Lock Washer 1/4"	6 PCS
Ⓒ	Flat Washer 1/4" x 19mm	6 PCS
Ⓓ	Allen Wrench	1 PC



For your safety, please install tipping restraint by following instructions inside of the bag.

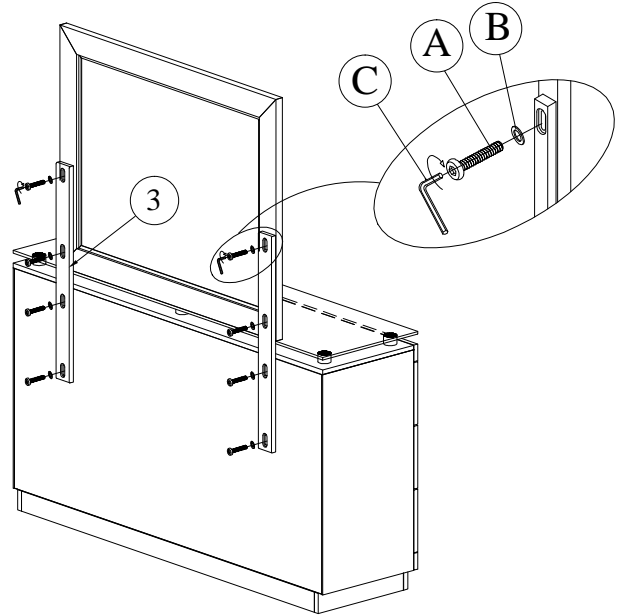
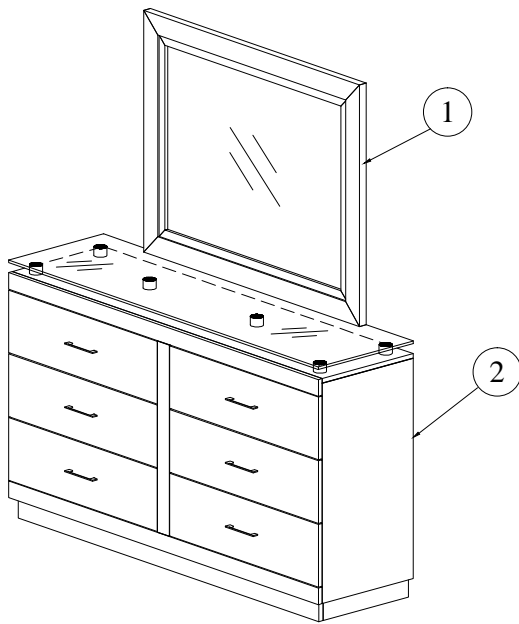
1. Attach top glass (2) to dresser (1) by using bolts (A), lock washer (B), flat washer (C), with Allen Wrench (D).

Thank you for choosing Legends Furniture!

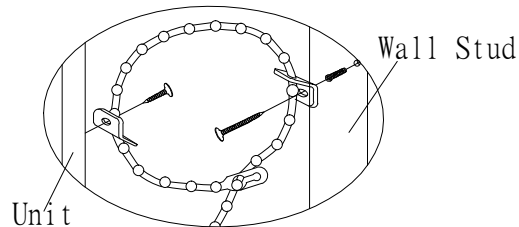


Novella Assembly Instructions

ZNOV-7014 Mirror



Tip Restraint



PART#	DESCRIPTION	QTY
①	Mirror	1 PC
②	Dresser	1 PC
③	Mirror Support	2 PCS
(A)	Bolts (1/4" x 30mm)	8 PCS
(B)	Flat Washer (1/4")	8 PCS
(C)	Allen Wrench	1 PC

For your safety, please install tipping restraint by following instructions inside of the bag.

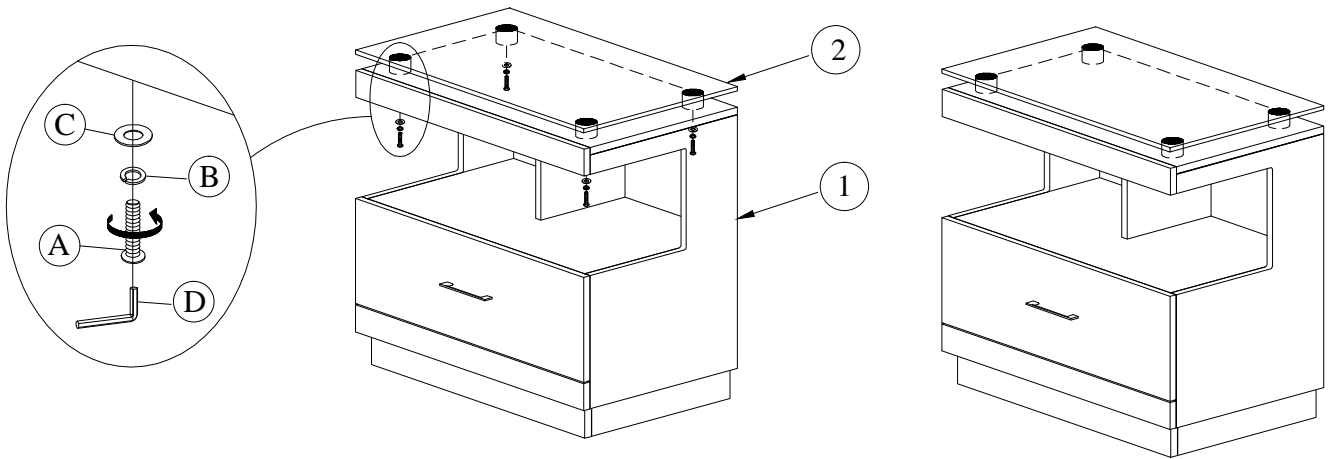
1. Attach mirror support (3) to dresser (2) by using bolts (A), flat washer (B), with Allen Wrench (C).
2. Set mirror (1) on top of dresser (2) carefully. Line up drilled holes on mirror (1) with holes on mirror support (3).
3. Fasten mirror (1) to mirror supports (3) by using bolts (A), flat washer (B), with Allen Wrench (C).

Thank you for choosing Legends Furniture!

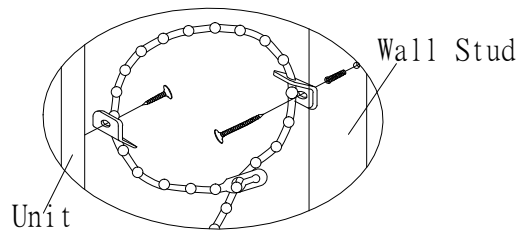


Novella Assembly Instructions

ZNOV-7015 Nightstand



Tip Restraint



PART#	DESCRIPTION		QTY
①	Nightstand		1 PC
②	Top Glass		1 PC
Ⓐ	Bolts 1/4" x 40mm		6 PCS
Ⓑ	Lock Washer 1/4"		6 PCS
Ⓒ	Flat Washer 1/4" x 19mm		6 PCS
Ⓓ	Allen Wrench		1 PC

For your safety, please install tipping restraint by following instructions inside of the bag.

1. Attach top glass (2) to dresser (1) by using bolts (A), lock washer (B), flat washer (C), with Allen Wrench (D).

Thank you for choosing Legends Furniture!