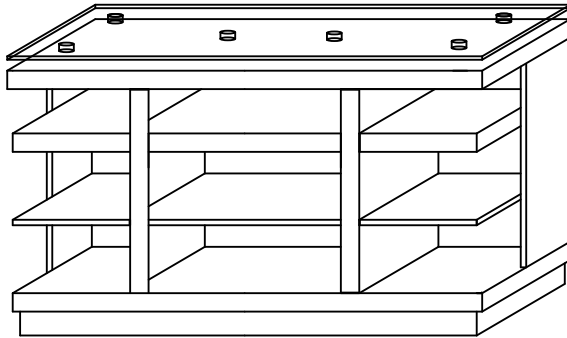





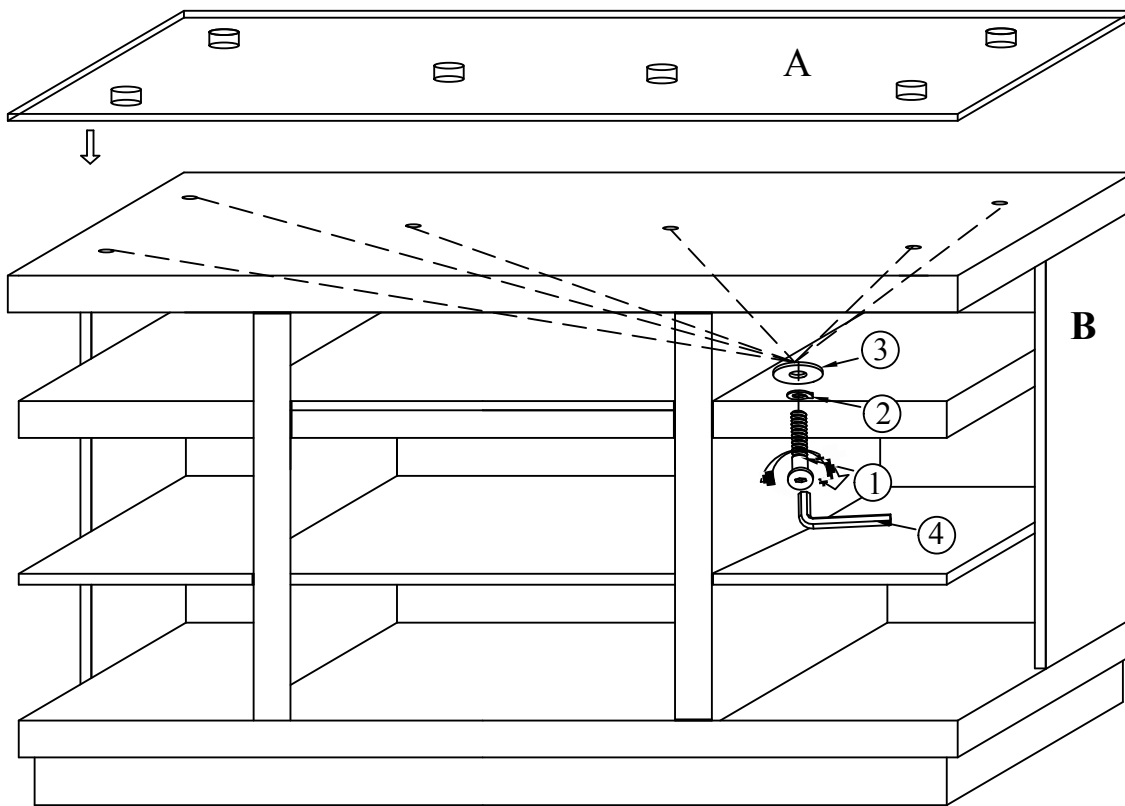


Novella Assembly Instructions

ZNOV-1465 Novella 65" TV Cart



| PART# | DESCRIPTION | | QTY |
|-------|-------------------|---|-----|
| A | Console Top Glass |  | 1 |
| 1 | Bolts |  | 6 |
| 2 | Lock Washer |  | 6 |
| 3 | Flat Washer |  | 6 |
| 4 | Allen Wrench |  | 1 |

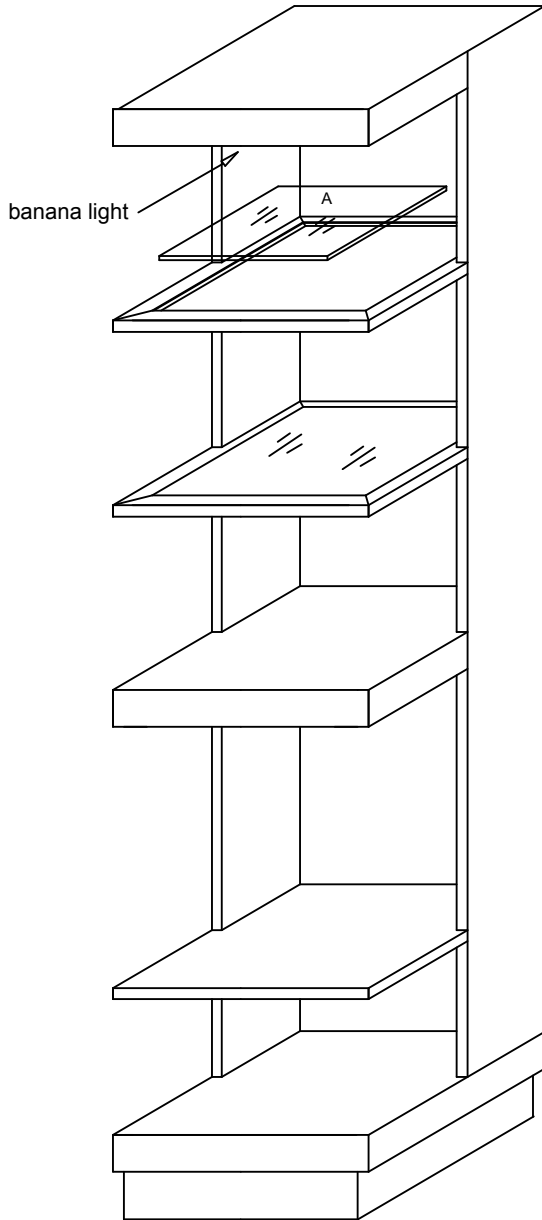




NOTE:

- 1). First find the Console top galss(A) and hardware package.
- 2). Attach the Console top glass(A) to Console (B),using bolt(1) ,Lock washer (2), flat washer (3), Tighten them up with Allen Wrench (4).

Novella Wall Assembly Instructions

ZNOV-3000 Novella Curio Pier Cabinets(2)



| PART# | DESCRIPTION | | QTY |
|-------|-------------------|---|-----|
| A | wood block |  | 2 |
| B | Glass shelf panel |  | 4 |

NOTE:

- 1). put the Glass shelves panel (B) on the wood frame.

Novella Wall Assembly Instructions

ZNOV-1465 Novella 65" TV Cart

ZNOV-3000 Novella Curio Pier Cabinets(2)

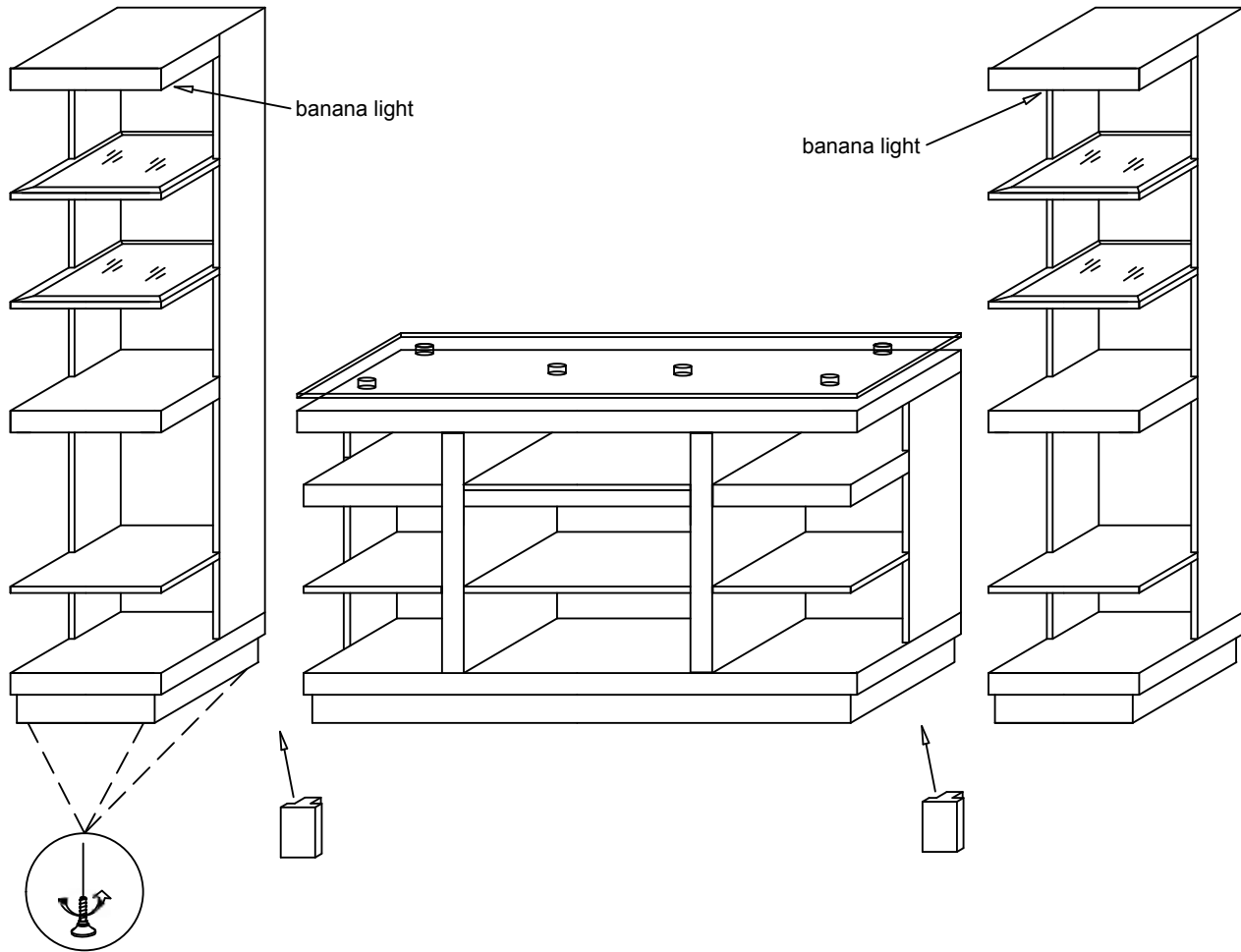


Diagram 1

NOTE:

- 1). Put the two piers next to the each side of the TV Console.
If necessary, adjust the levelers underneath the unit to make them all level. (see Diagram 1)
- 2).Put the wood block into the gap between the Console and Pier at bottom.