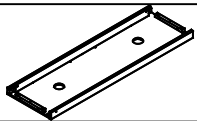
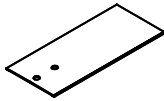
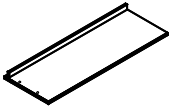
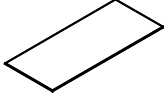
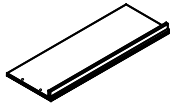
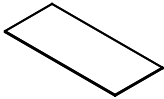
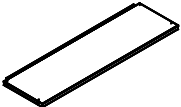

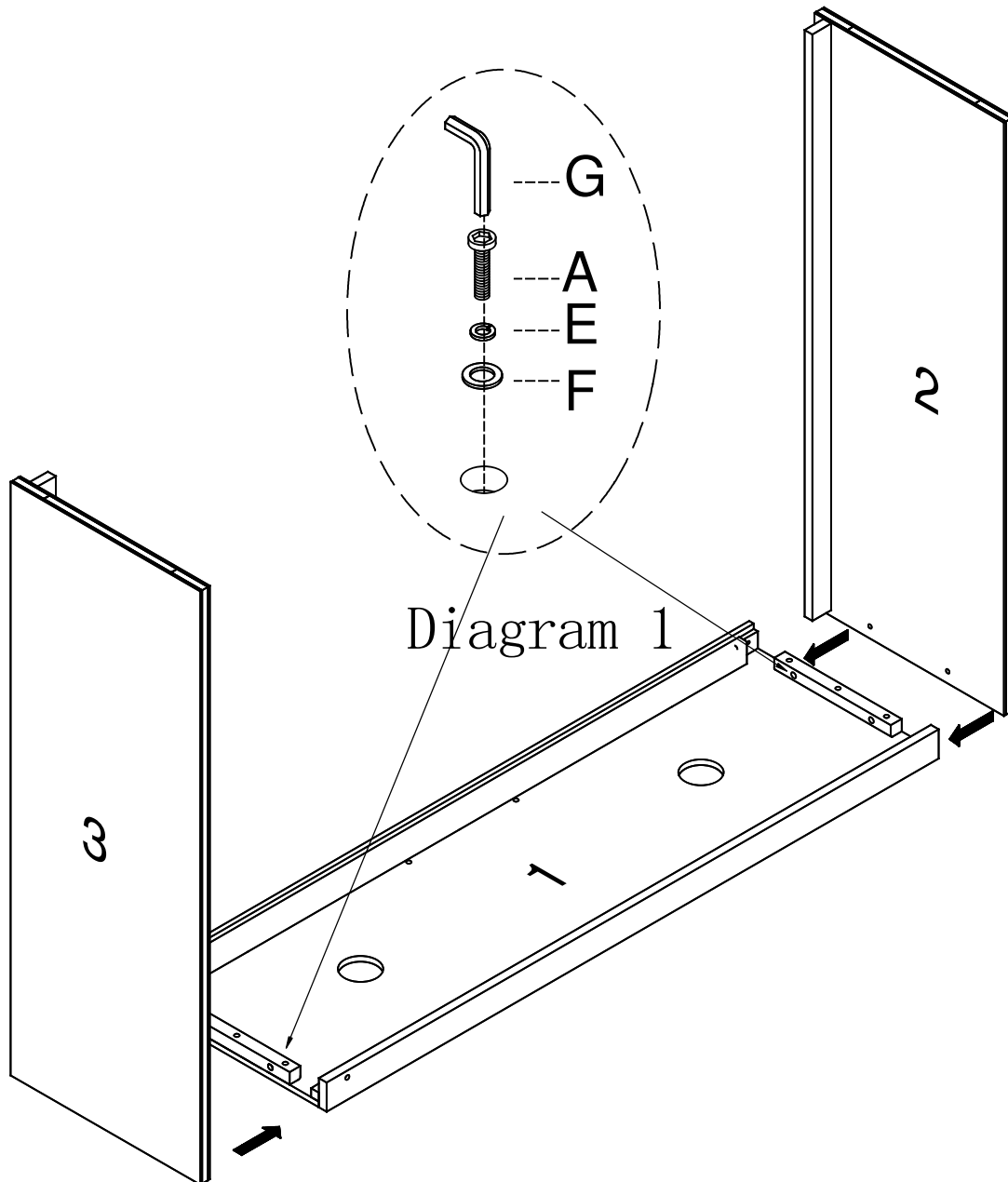


NO.	PARTS LIST		Q'TY	NO.	PARTS LIST		Q'TY
1		CROWN	1	5		CENTER BACK PANEL	1
2		RIGHT BOX	1	6		RIGHT SIDE BACK PANEL	1
3		LEFT BOX	1	7		LEFT SIDE BACK PANEL	1
4		SHELF	1	8		BOTTOM RAIL	1

Step 1



- 1, Find all the parts and hardware inside the box first and check with the parts list.
2. Put the Crown (1) upside down on a clean surface or felt on the floor.
3. Attach the left box (2) and right box (3) to the crown (1) (See Diagram 1) using bolt (A), spring washer (E), flat washer (F), Tighten them up with a allen wrench (G).

Step 2

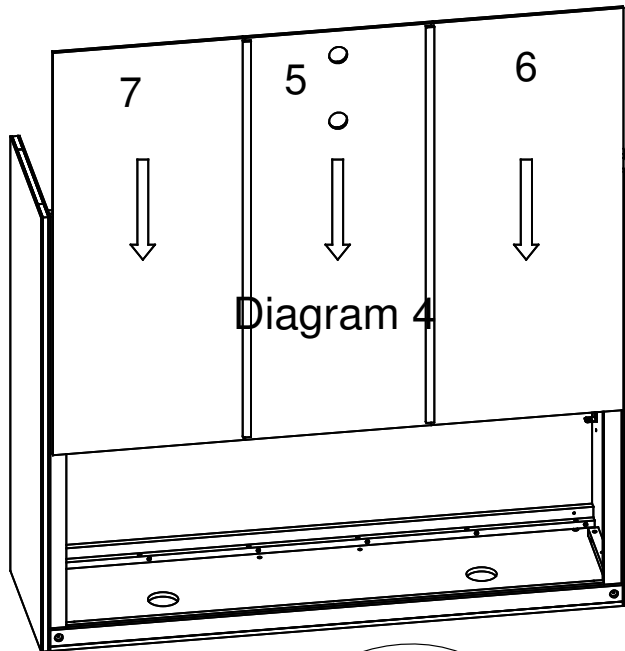


Diagram 4

4. Insert the Right Side Back Panel (6) and Center Back Panel (5) first, then insert the Left Side Back Panel (7) into place following the tracks in the Right and Left box (2) (3) and line up with the track in the Crown (1).

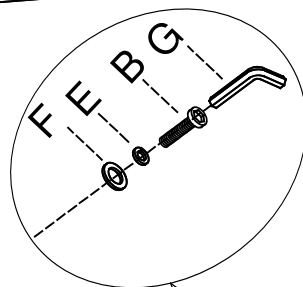
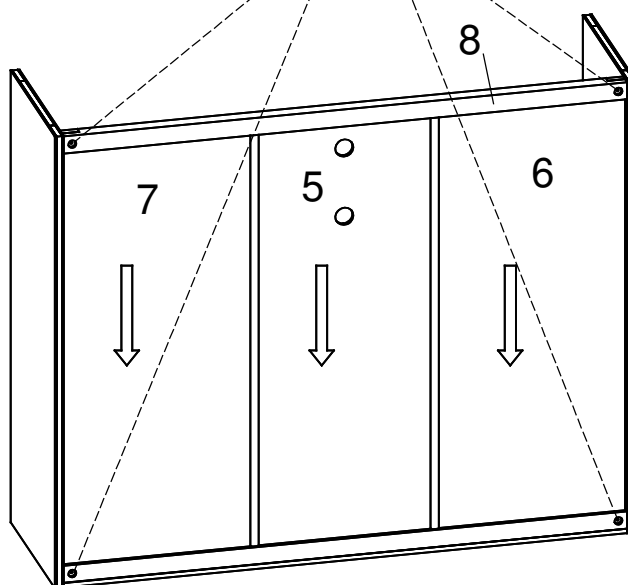


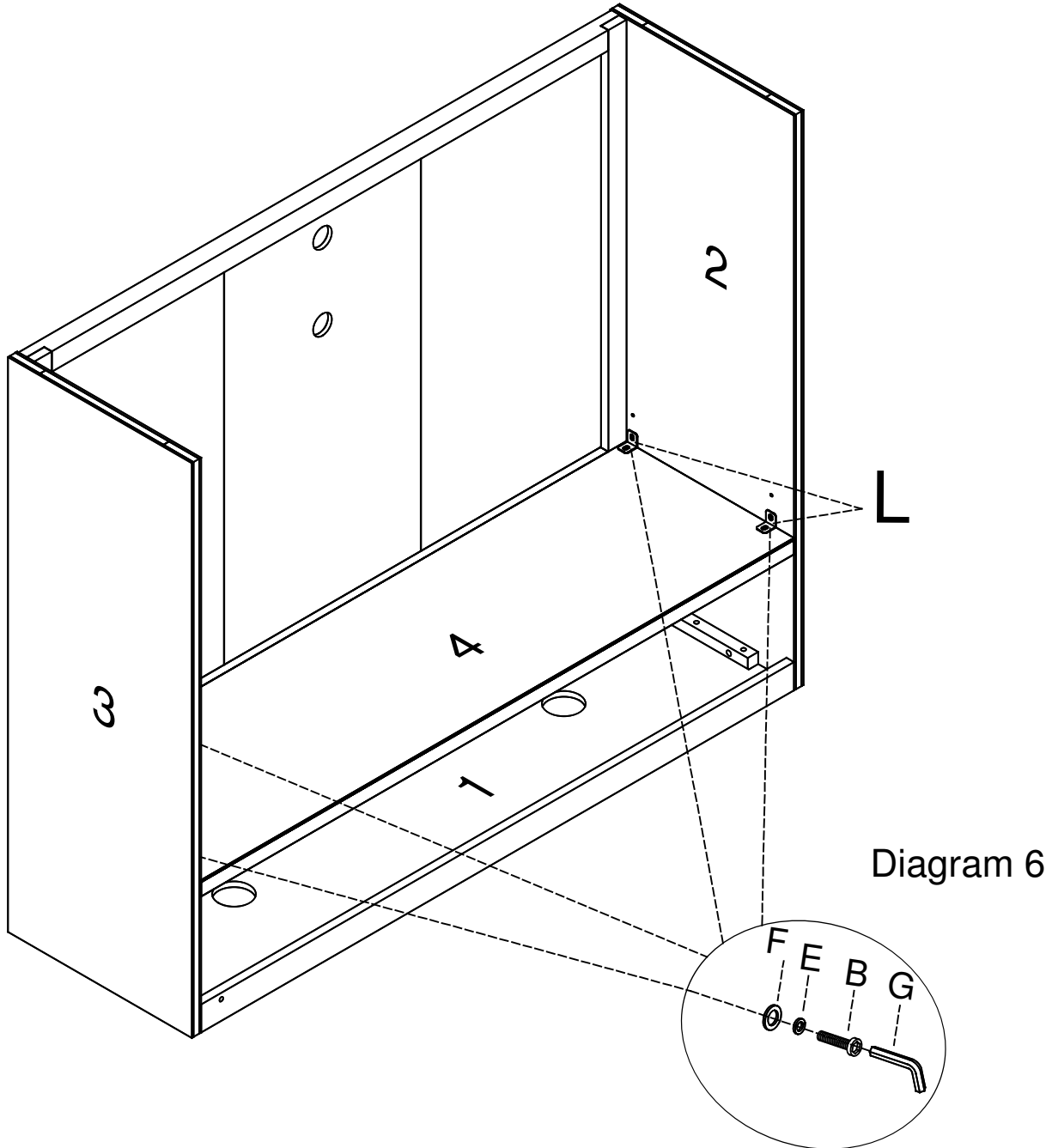
Diagram 5



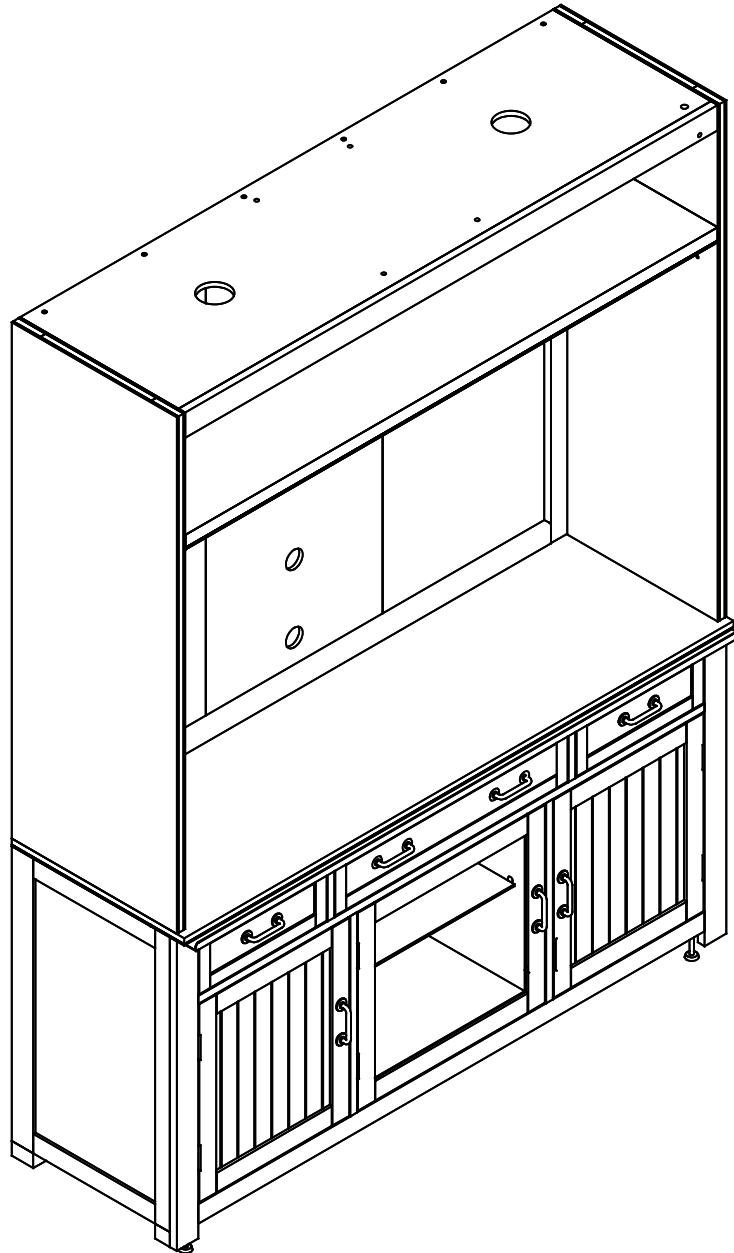
5. Tighten back panels to Crown (1), then attach the back bottom rail (8) to the right box (2) and the left box (3), (See Diagram 4), using bolt (B), spring washer (E), and flat washer (F). Tighten them up with Allen Wrench (G).

6. Turn over the hutch.



Step 3

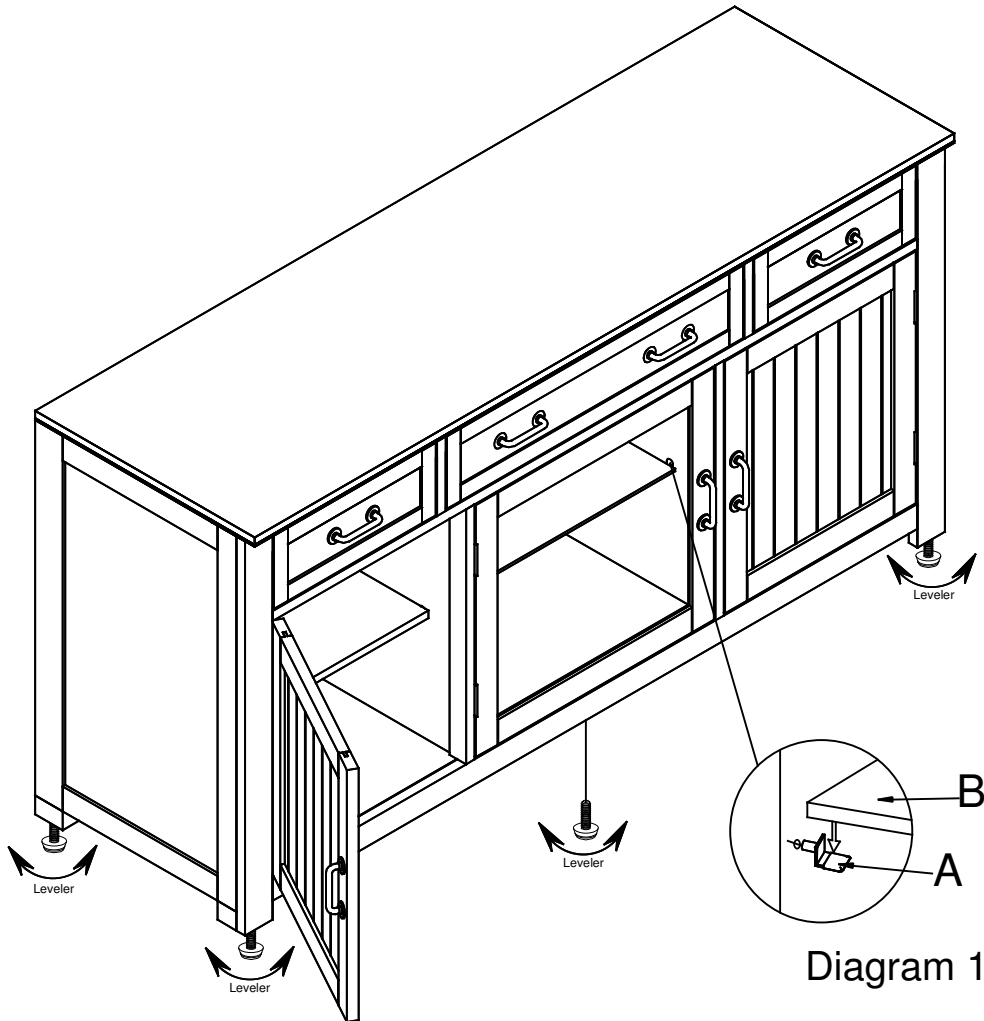


Step 4



7. Put the Hutch on TV Cart.

PART#	DESCRIPTION		QTY
A	Shelf holder		4
B	Glass shelf panel		1

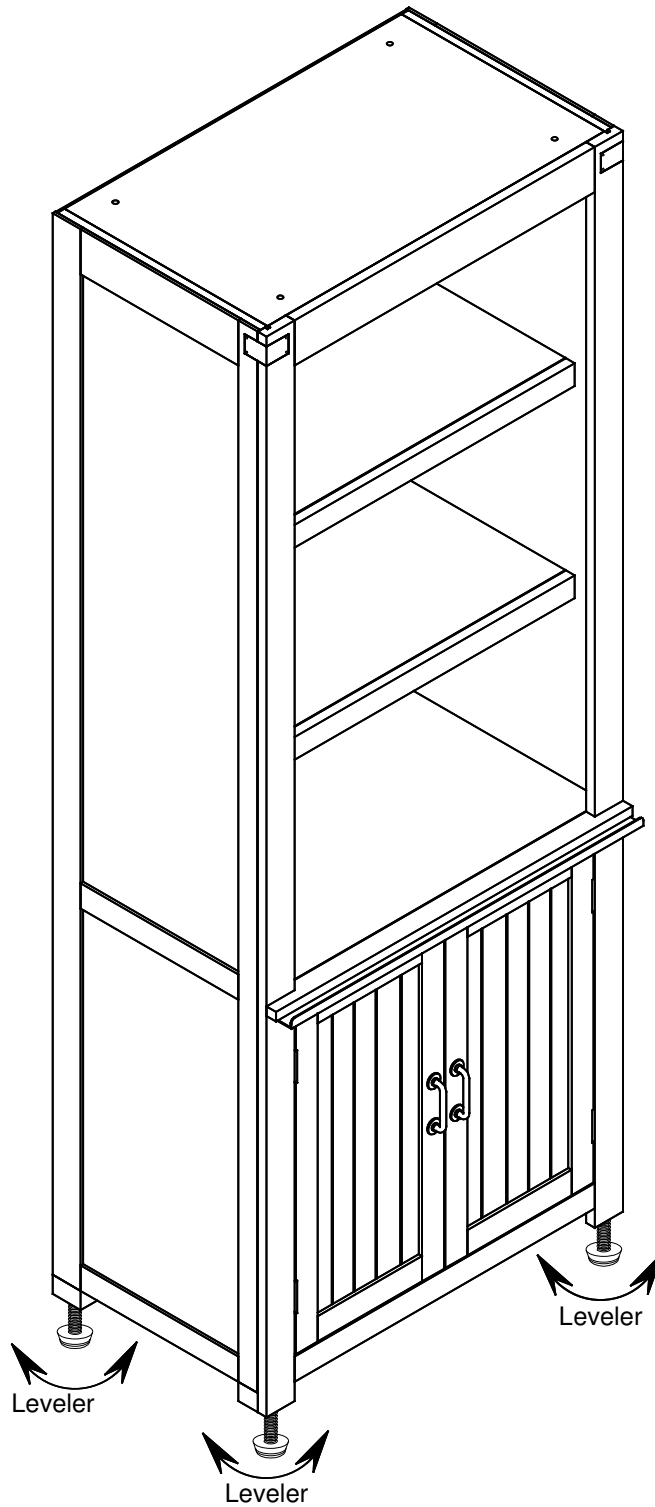


1. To place the Glass Shelf (B): first open the door and insert four shelf holders (A) into the pre-drilled holes. Place the glass shelf (B) on the shelf holders. (See Diagram 1)

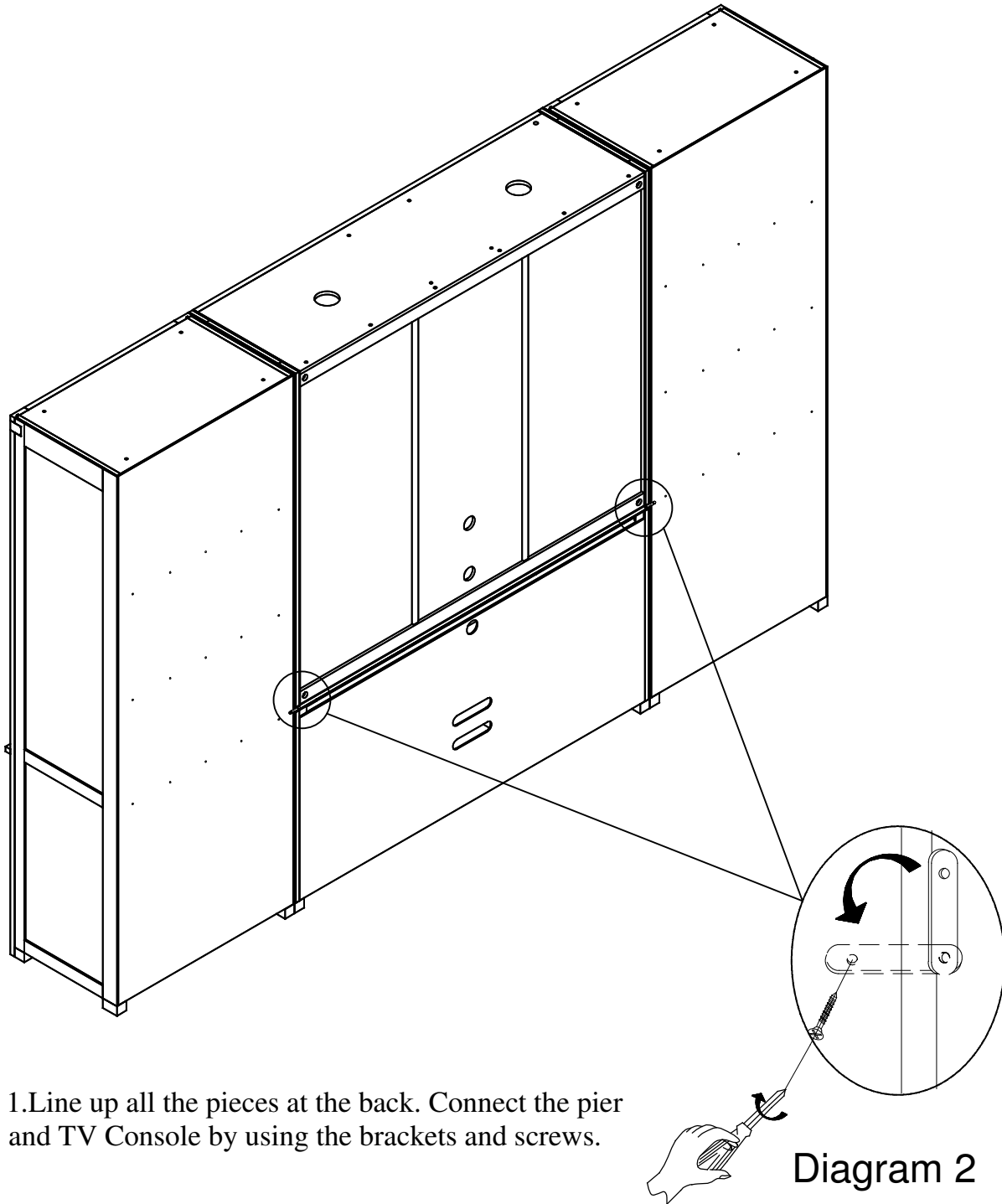


Industrial Assembly Instructions

*ZIND-3000 : Industrial Bookcase Pier

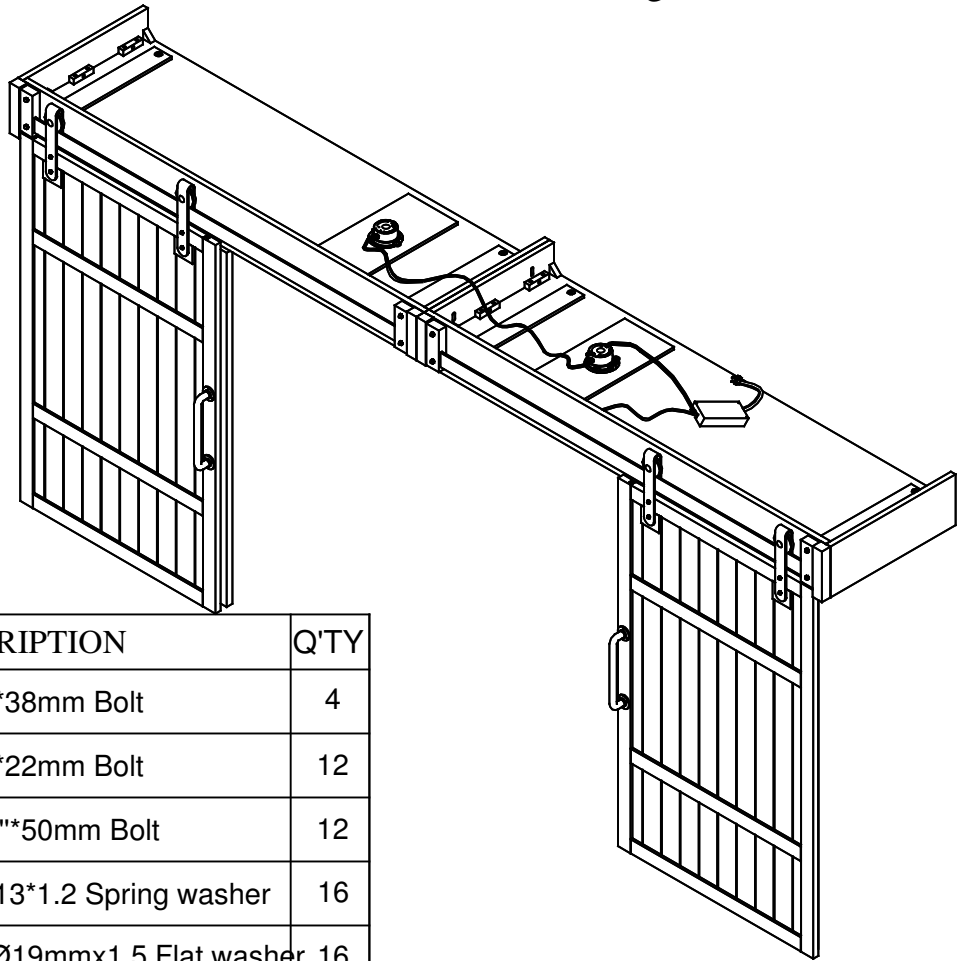












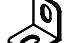




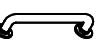
Thanks for choosing Legends furniture!

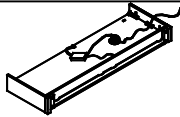
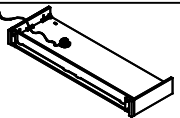
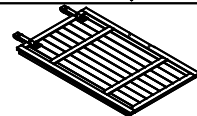
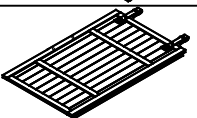


1. Line up all the pieces at the back. Connect the pier and TV Console by using the brackets and screws.

Diagram 2



PART#		DESCRIPTION	Q'TY
A		Ø1/4"*38mm Bolt	4
B		Ø1/4"*22mm Bolt	12
C		Ø5/16"*50mm Bolt	12
E		Ø1/4*13*1.2 Spring washer	16
F		1/4"x Ø19mmx1.5 Flat washer	16
G		L57*4MM Allen wrench	1
H		Ø5/16*13*1.2 Spring washer	12
I		5/16"x Ø19mmx1.5 Flat washer	12
J		L shape Metal bracket	2
K		L shape Metal bracket	1
L		L shape Metal bracket	4
M		Ø3,5x15mm Wood screw	33
N		Ø5/16"*16mm	2
O		OPEN WRENCH	1
P		Ø5/32*25mm	4
Q		Handle	2

NO.	PARTS LIST		Q'TY
1	LEFT BRIDGE		1
2	RIGHT BRIDGE		1
3	RIGHT DOOR		1
4	LEFT DOOR		1

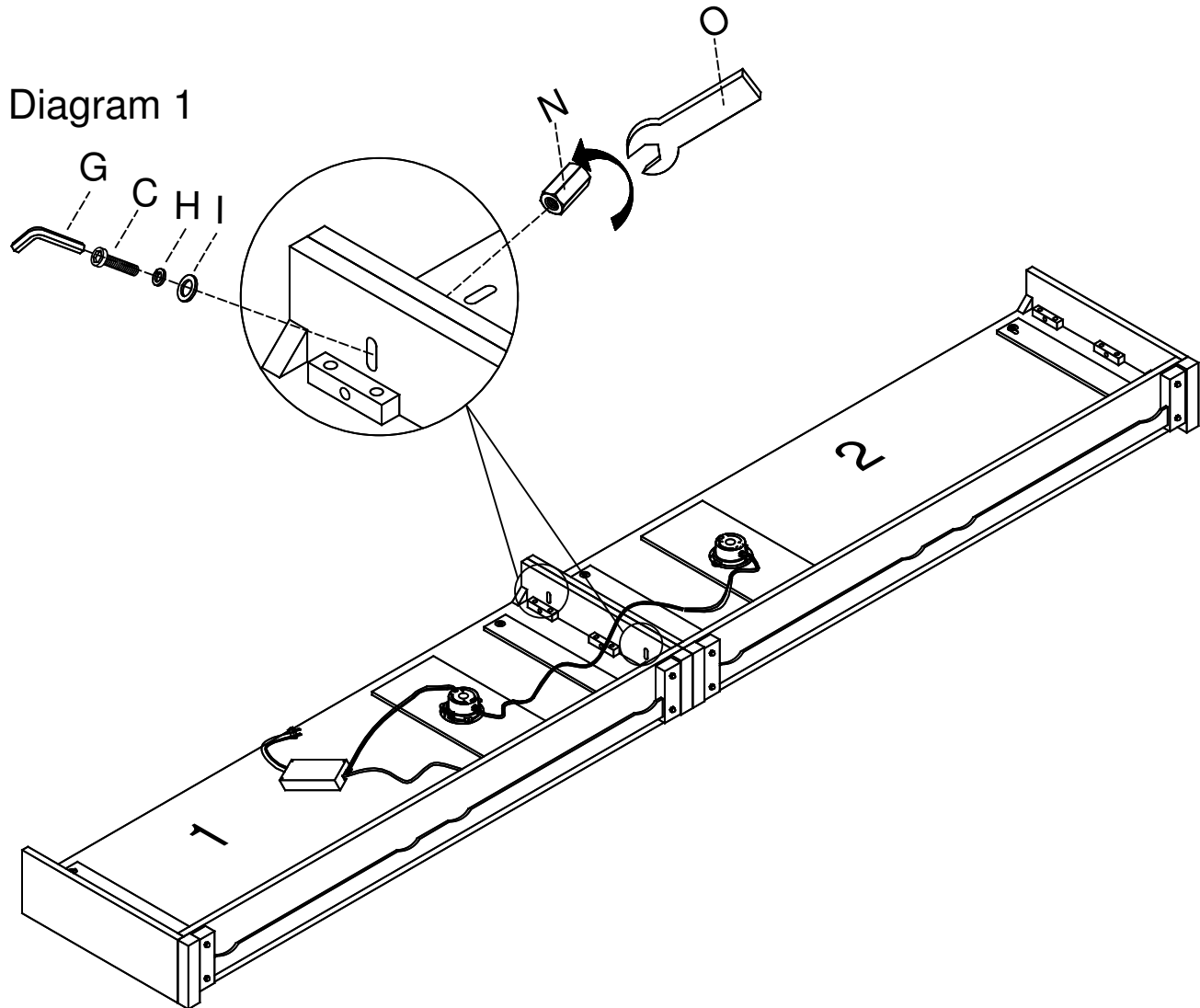


Diagram 1. Line up left bridge (1) and right bridge (2), use bolt (C), spring washer (H), and flat washer (I), and tighten them with allen wrench (G).

Diagram 2

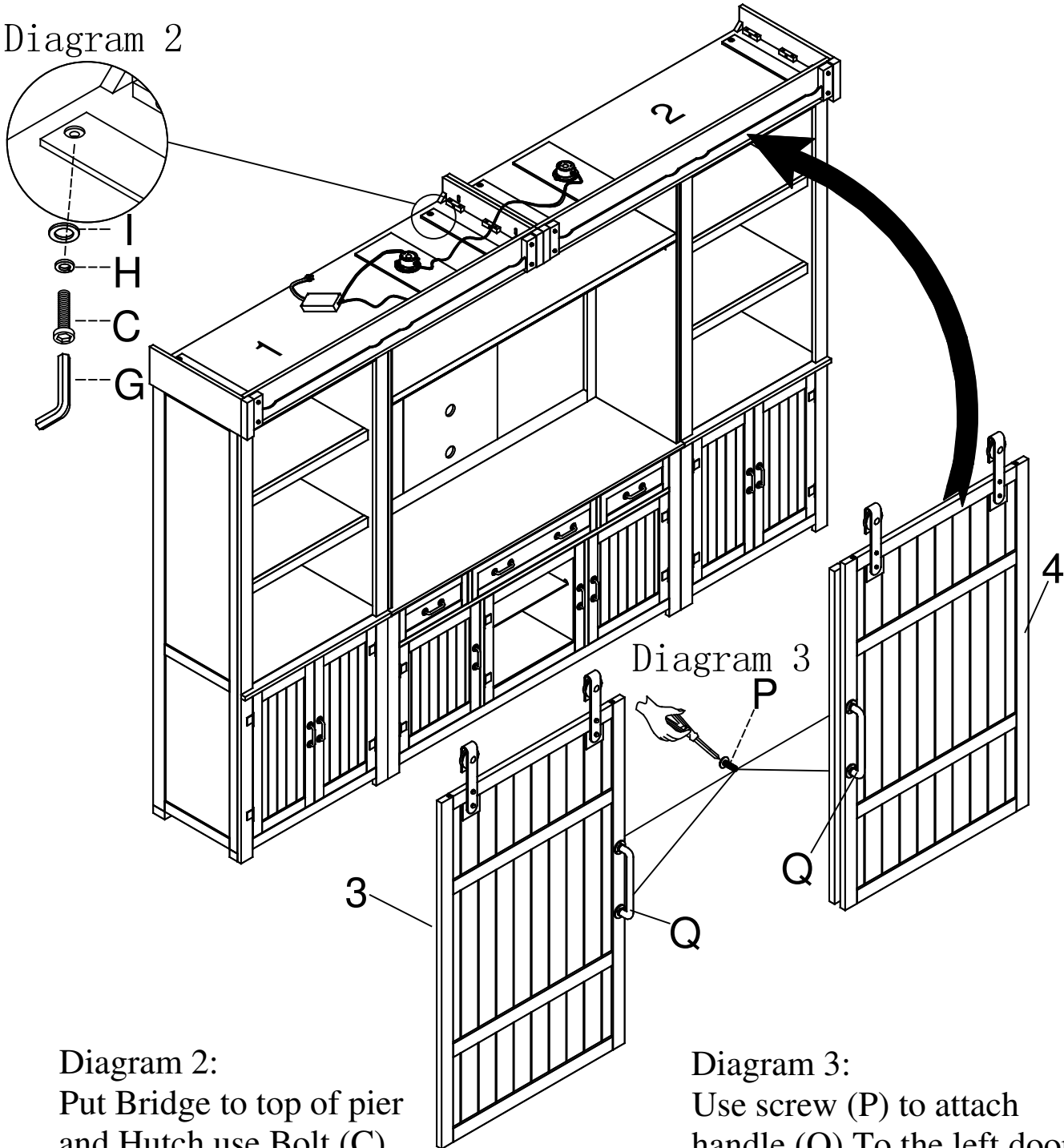


Diagram 2:
Put Bridge to top of pier
and Hutch use Bolt (C).
Spring washer (H), and
Flat washer (I).

Diagram 3:
Use screw (P) to attach
handle (Q) To the left door
(4) and right door (3) Hook
left door and right door to
sliding rail.

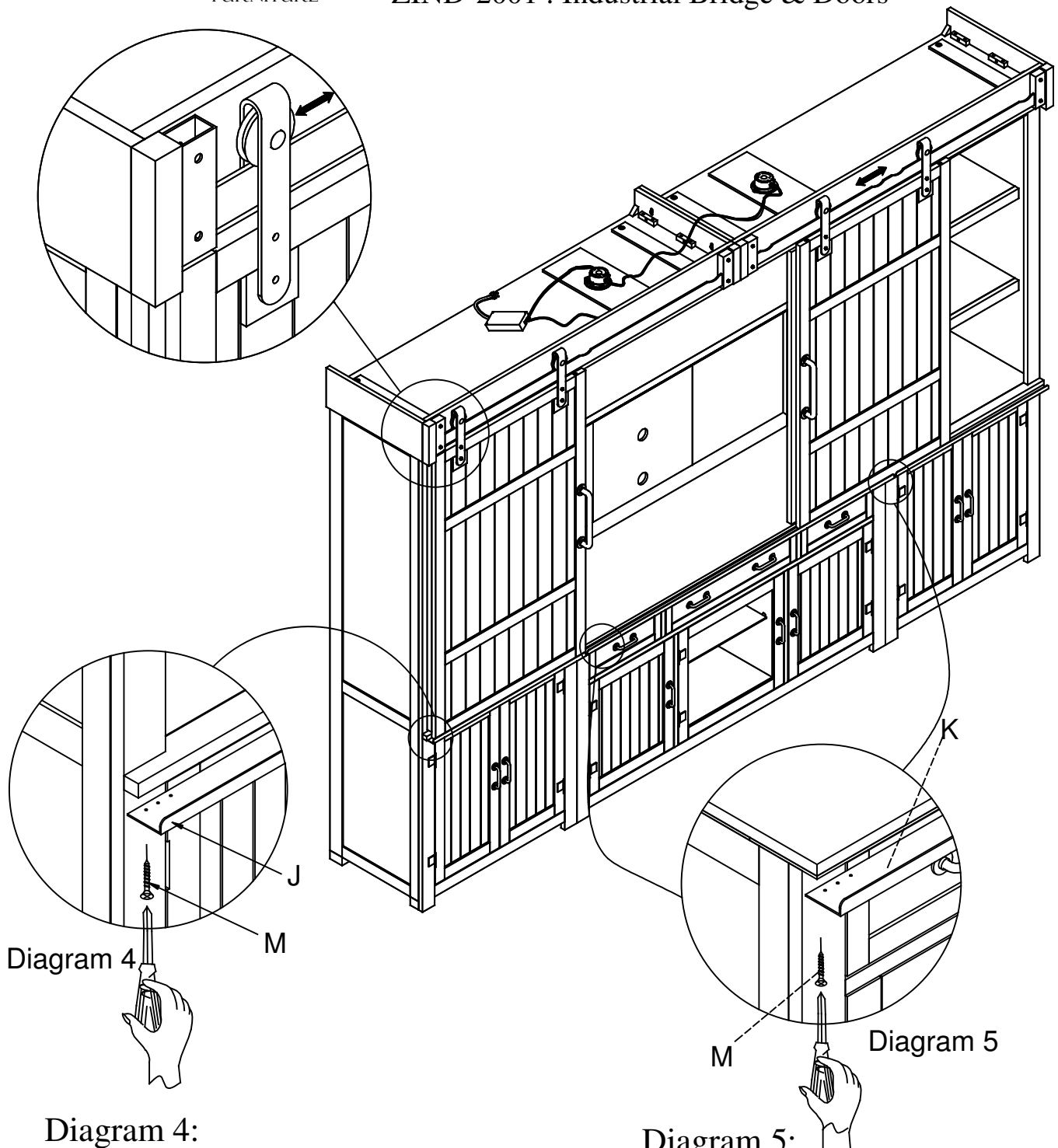
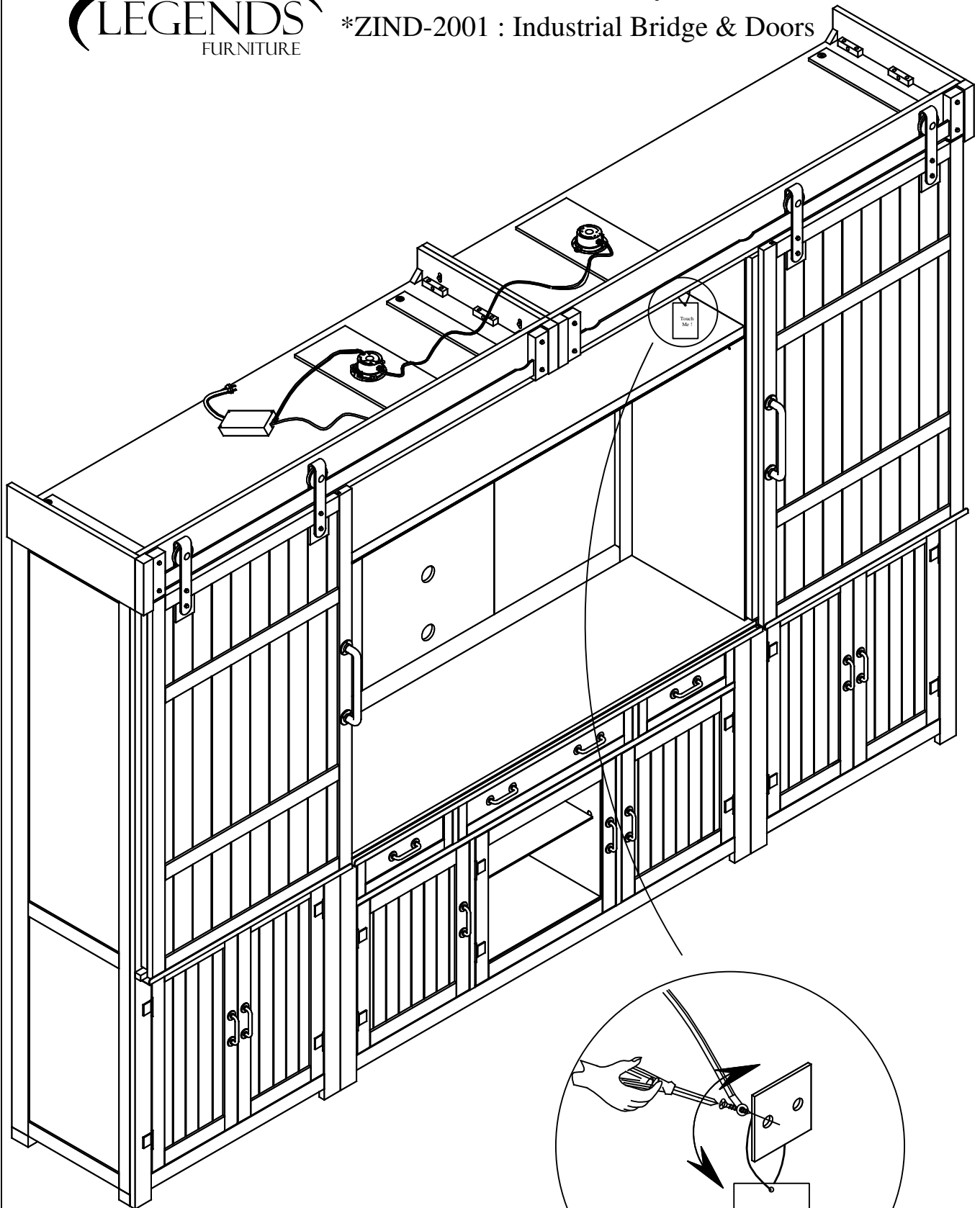


Diagram 4

Diagram 4:
Attach "L" shape
metal bracket (J) to
front rail of pier
using screw (M).

Diagram 5

Diagram 5:
Attach "L" shape
metal bracket (K) to
front rail of console
using screw (M).



Loosen this screw and put light switch with metal plate together.

Thanks for choosing Legends furniture!