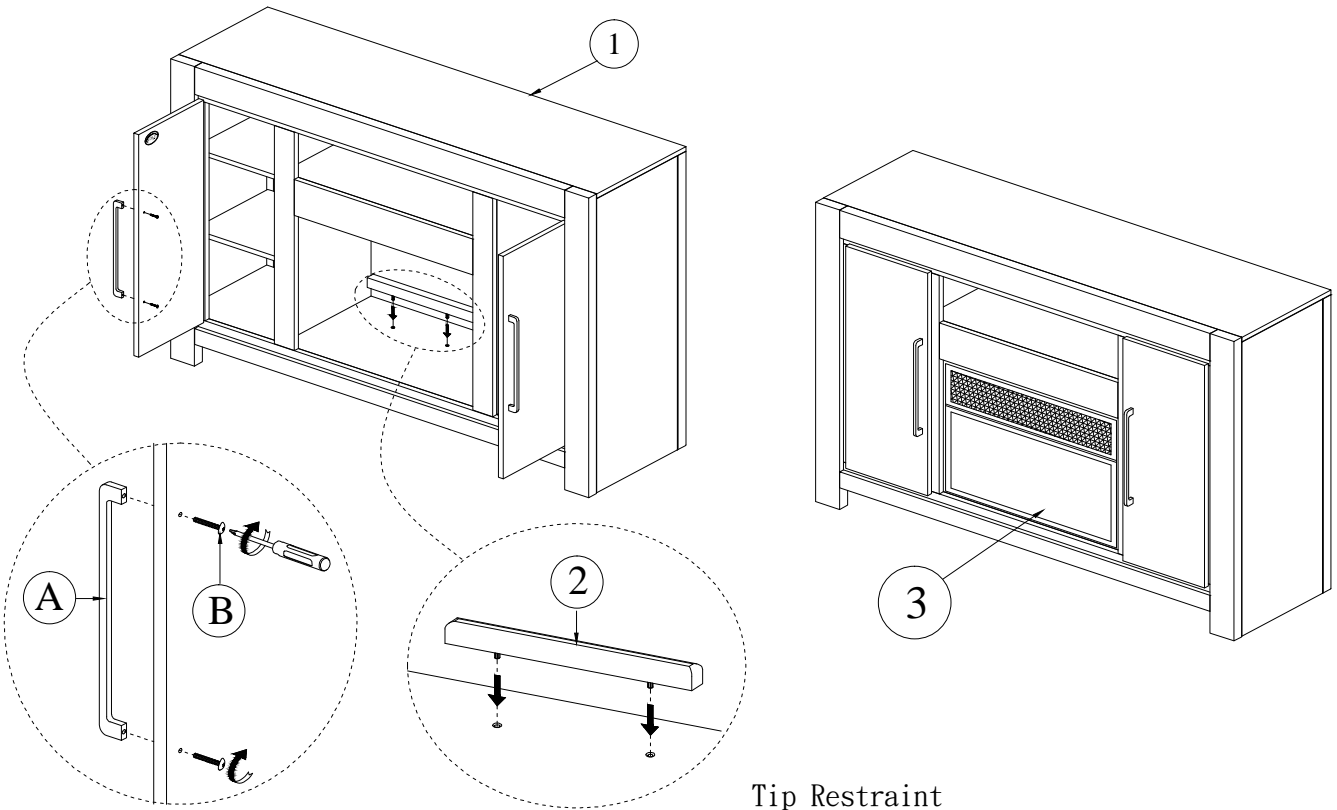


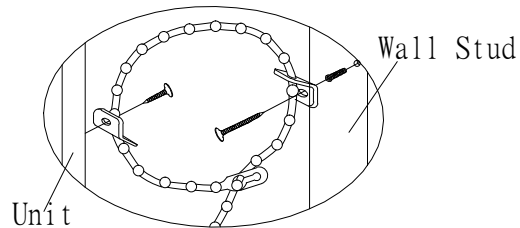



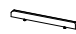



# City Lights Assembly Instructions

## ZCTL-1900 Fireplace Console



### Tip Restraint



PART#	DESCRIPTION	QTY
①	Fireplace Console 	1 Pc
②	Wood Slat 	1 Pc
③	Electric Fireplace 	1 Pcs
(A)	Handle pull 	2 Pcs
(B)	Bolt handle 	4 Pcs

For your safety, please install tipping restraint by following instructions inside of the bag.

1. Attach handle pull (A) to drawer by using bolt handle (B).
2. Insert wood slat (2) into the drilled holes on the bottom of the media console.
3. To level the unit on an uneven surface, adjust leveler on the support leg.

Thank you for choosing Legends Furniture!




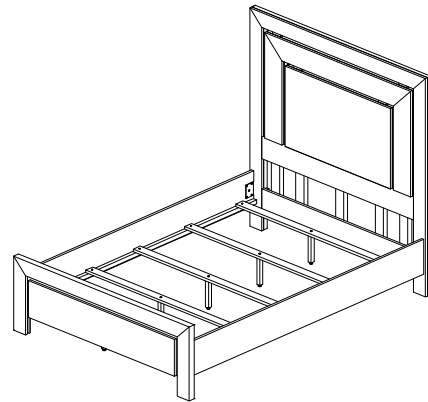
# City Lights Assembly Instructions

ZCTL-7001 - Queen Headboard

ZCTL-7002 - Queen Footboard

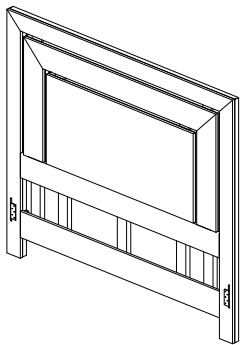
ZCTL-7003 - Queen/King Rails

Hardware for Queen Footboard			
Part #	Description		QTY
①	Wood Screw		10 Pcs



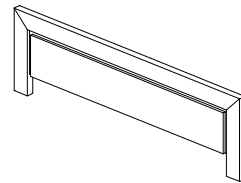
## PARTS DESCRIPTION

### A. Headboard



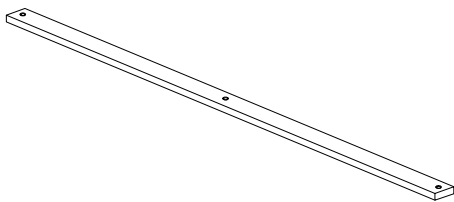
1 Pc.

### B. Footboard



1 Pc.

### C. Slats



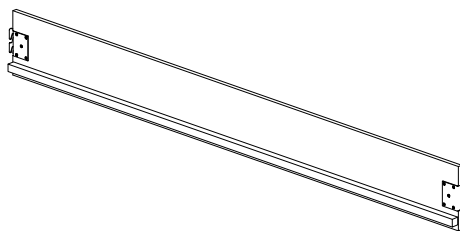
5 Pcs.

### D. Support Legs



5 Pcs.

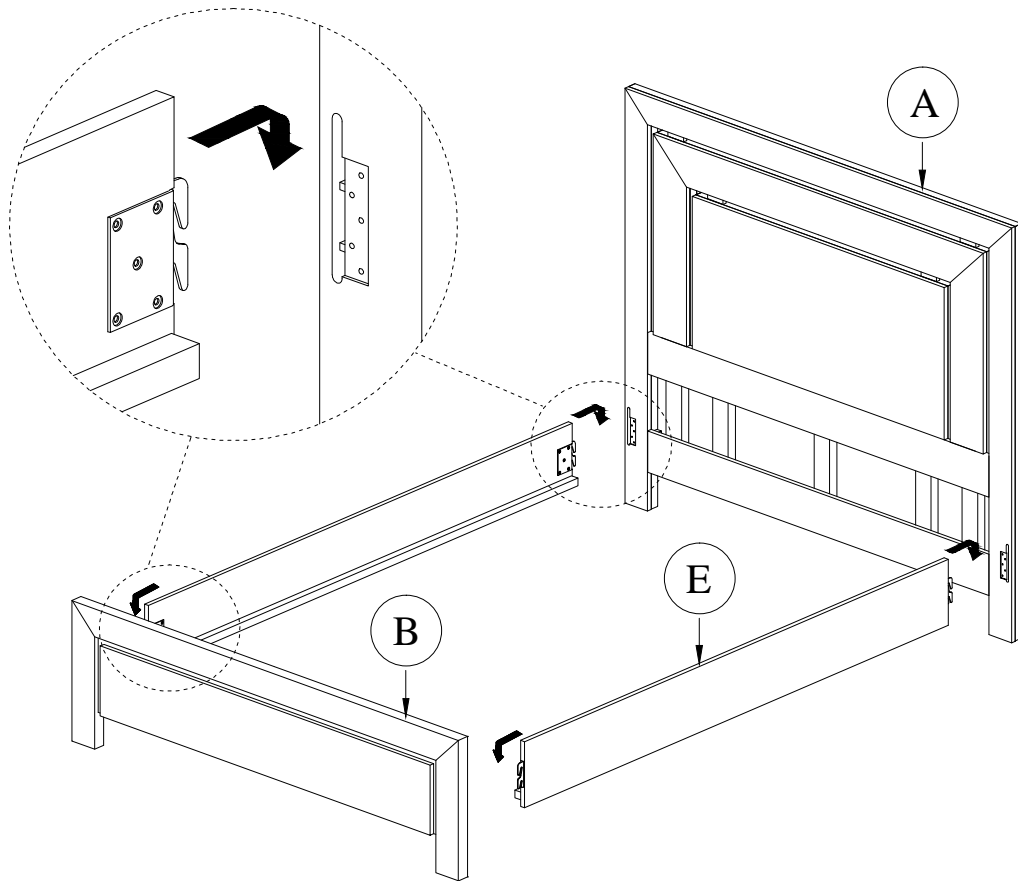
### E. Side Rails



2 Pcs.

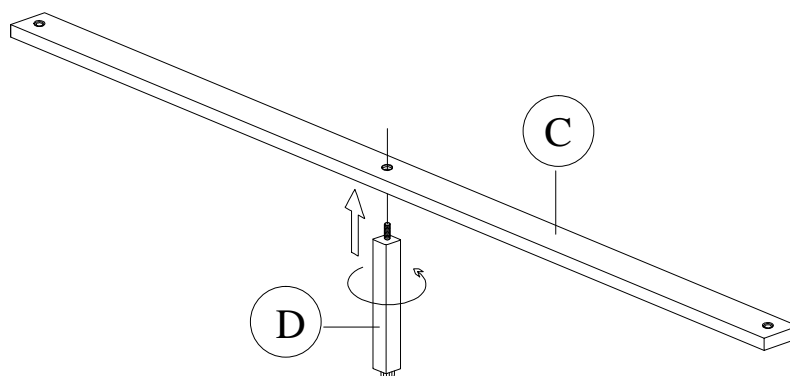
Thank you for choosing Legends Furniture!

## Step 1:



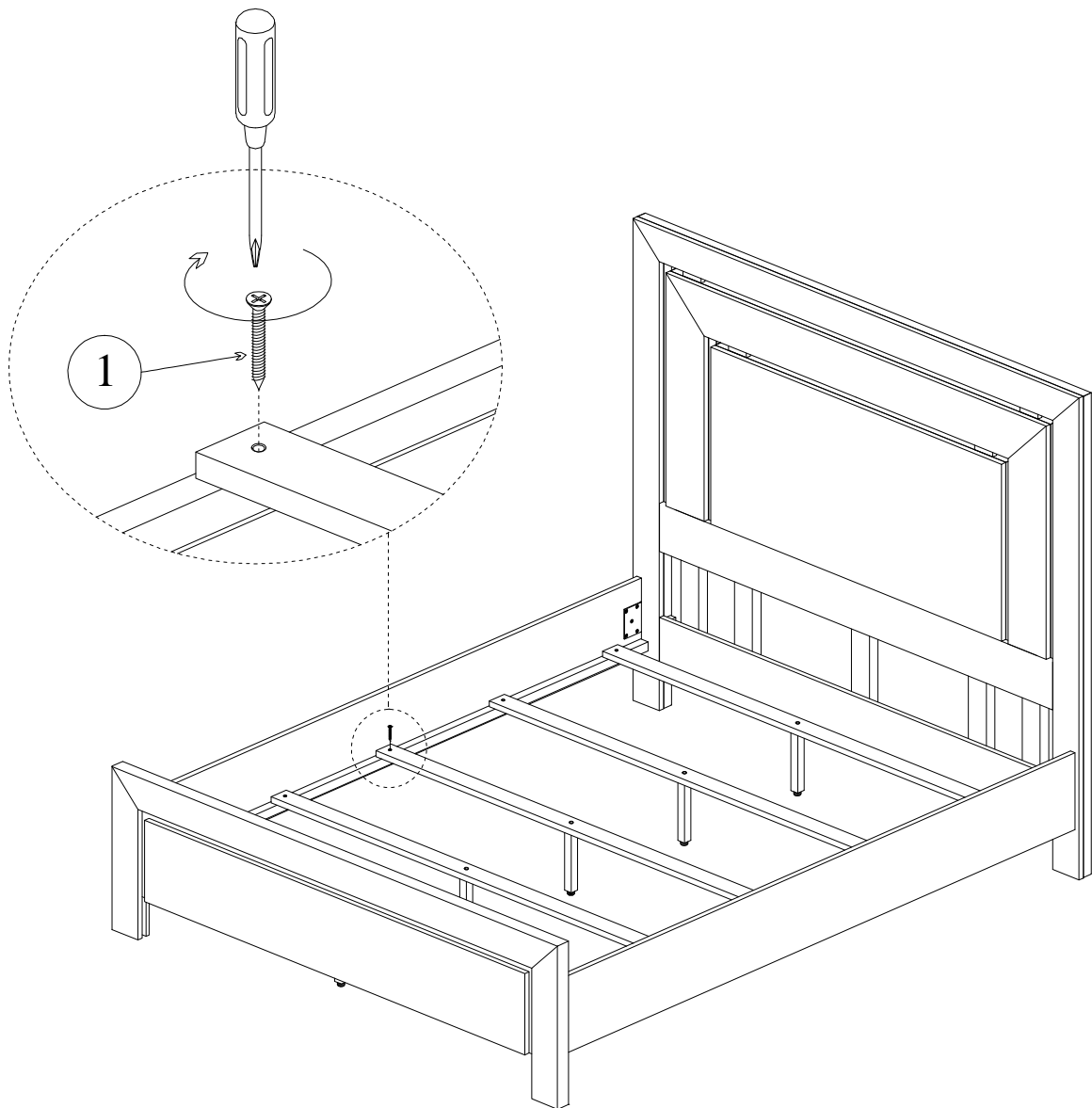
1. Hook the side rails to headboard (A) and footboard (B).

## Step 2:



1. Install support legs to the slats.

### Step 3:



1. Insert screws (1) into the slat holes & secure by using a Philip's Head Screwdriver. (Not included).




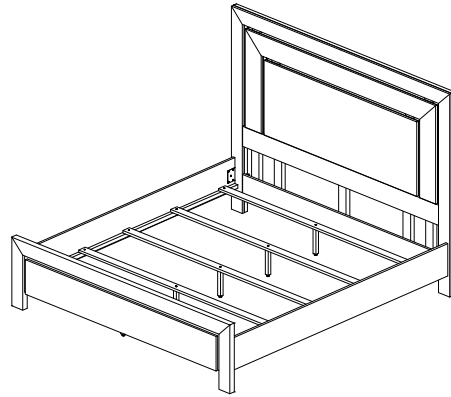
# City Lights Assembly Instructions

ZCTL-7004 - King Headboard

ZCTL-7005 - King Footboard

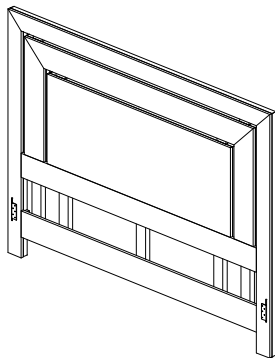
ZCTL-7003 - Queen/King Rails

Hardware for King Footboard			
Part #	Description		QTY
①	Wood Screw		10 Pcs



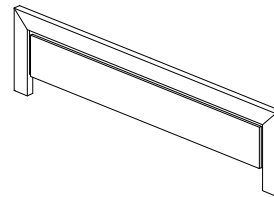
## PARTS DESCRIPTION

A. Headboard



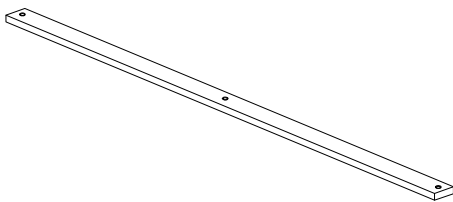
1 Pc.

B. Footboard



1 Pc.

C. Slats



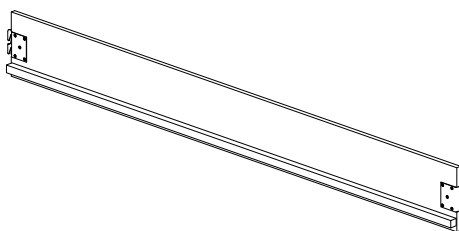
5 Pcs.

D. Support Legs



5 Pcs.

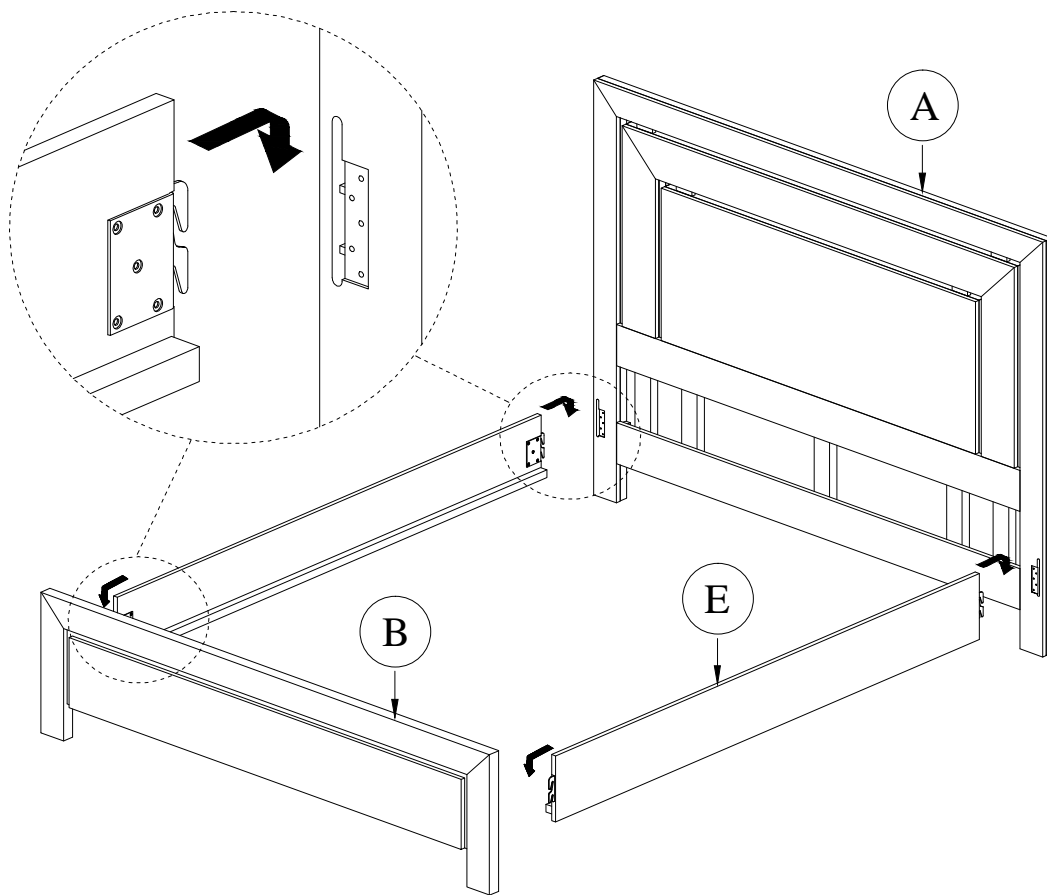
E. Side Rails



2 Pcs.

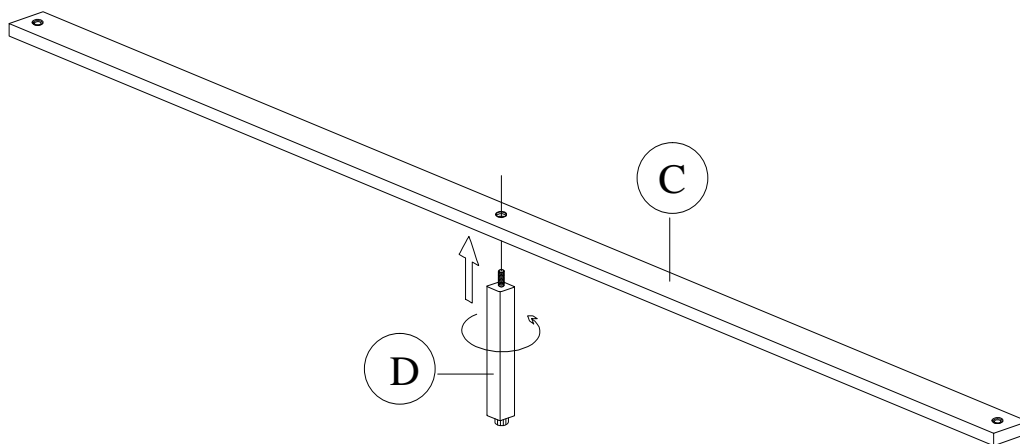
Thank you for choosing Legends Furniture!

## Step 1:



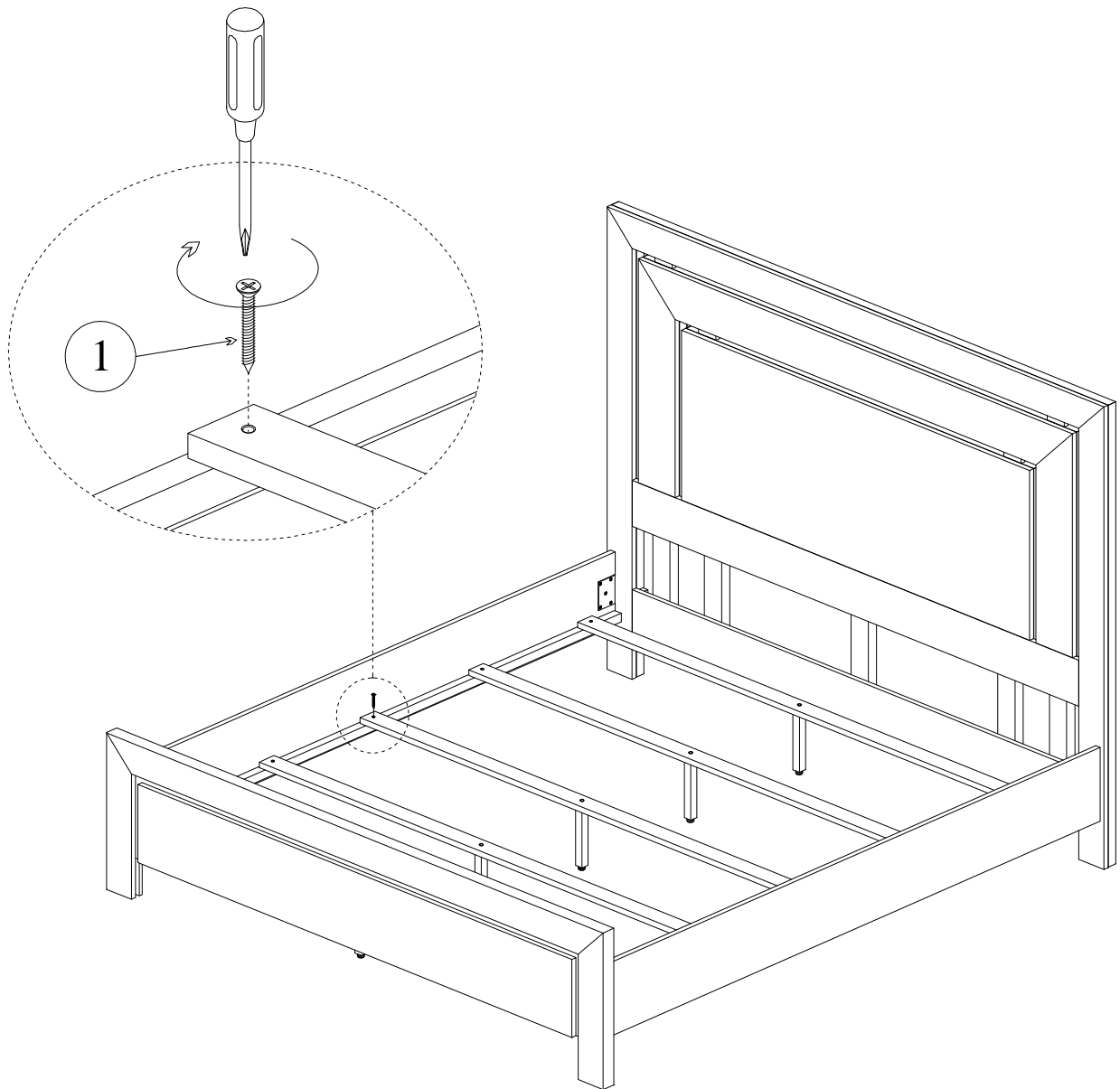
1. Hook the side rails to headboard (A) and footboard (B).

## Step 2:



1. Install support legs to the slats.

### Step 3:



1. Insert screws (1) into the slat holes & secure by using a Philip's Head Screwdriver. (Not included).




# City Lights Assembly Instructions

ZCTL-7004 - King Headboard

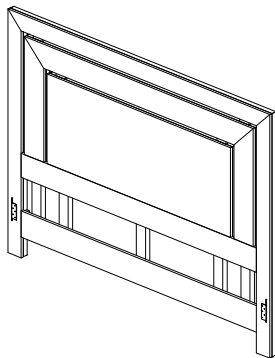
ZCTL-7005 - King Footboard

ZCTL-7011 - Cal King Rails

Hardware for Cal King Rails			
Part #	Description		QTY
①	Wood Screw		10 Pcs

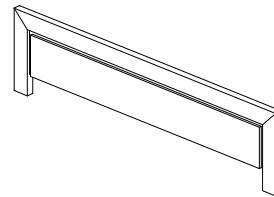
## PARTS DESCRIPTION

A. Headboard



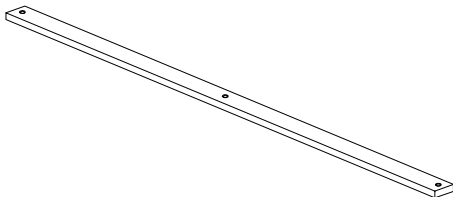
1 Pc.

B. Footboard



1 Pc.

C. Slats



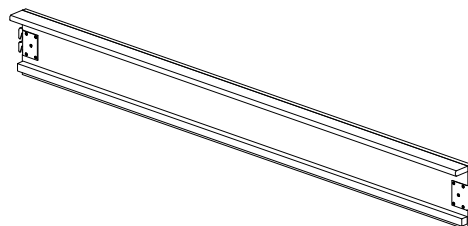
5 Pcs.

D. Support Legs



5 Pcs.

E. Side Rails

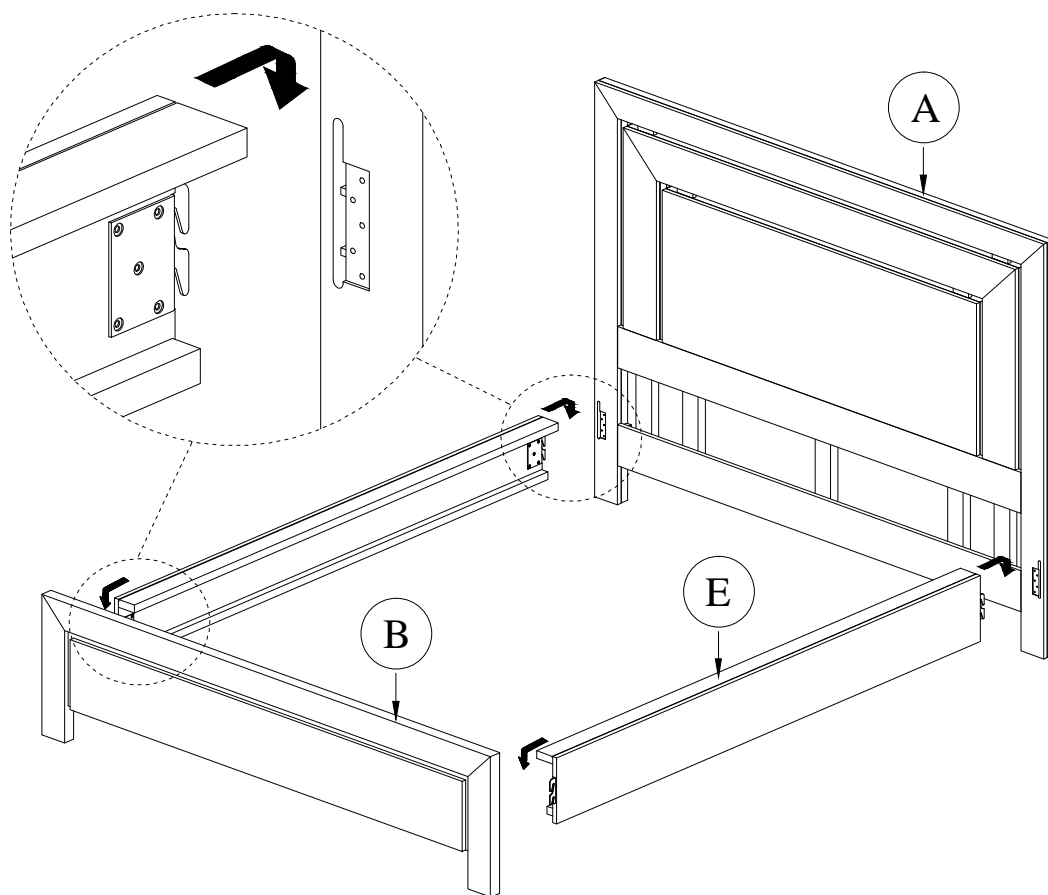


2 Pcs.

Thank you for choosing Legends Furniture!

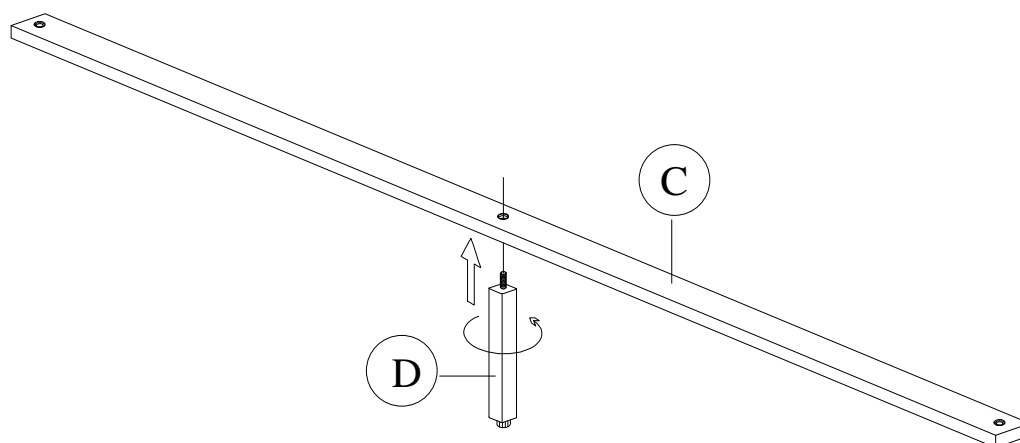


## Step 1:



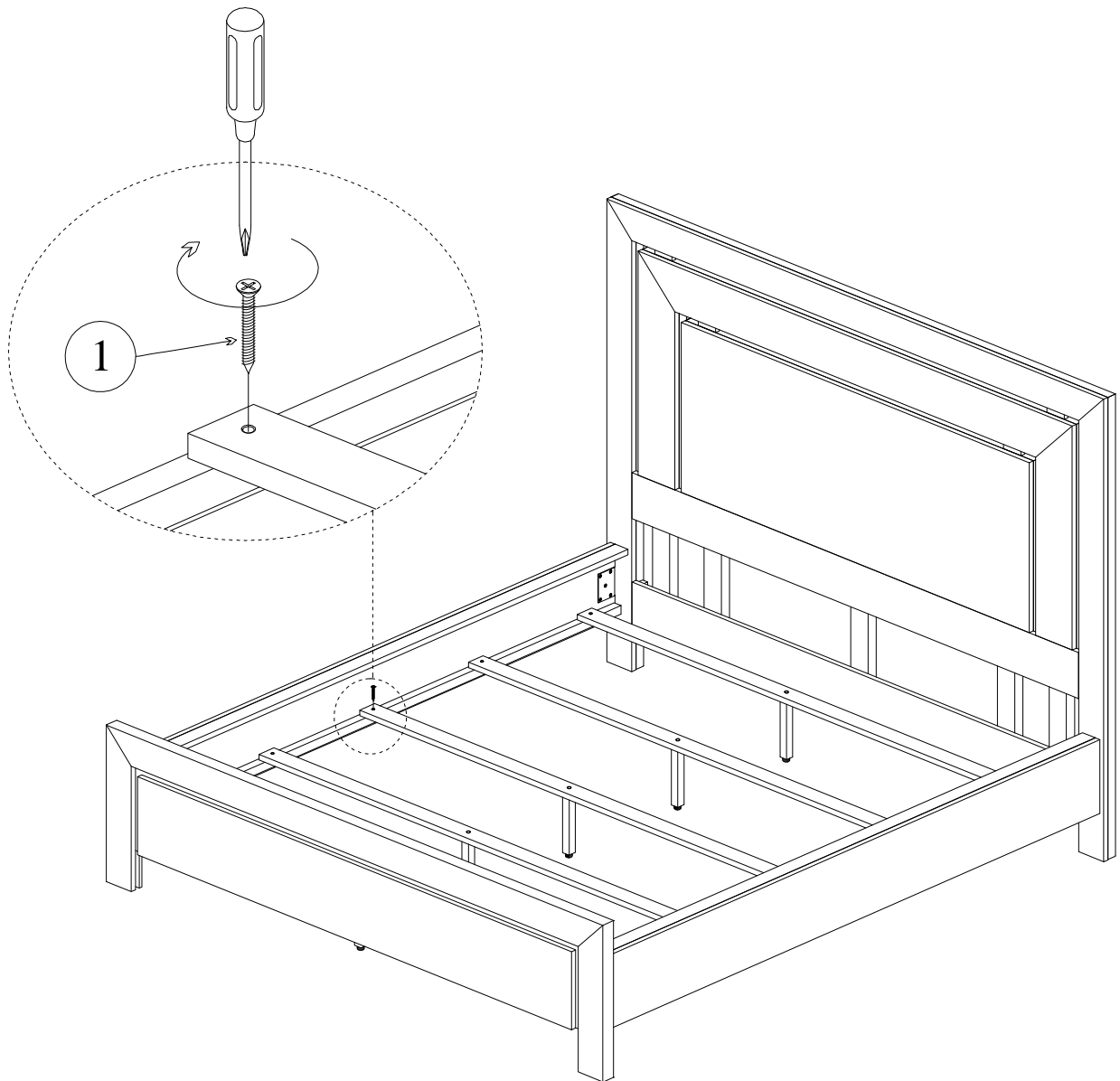
1. Hook the side rails to headboard (A) and footboard (B).

## Step 2:



1. Install support legs to the slats.

### Step 3:

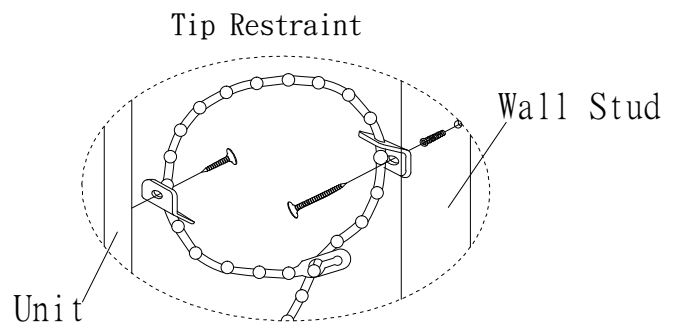
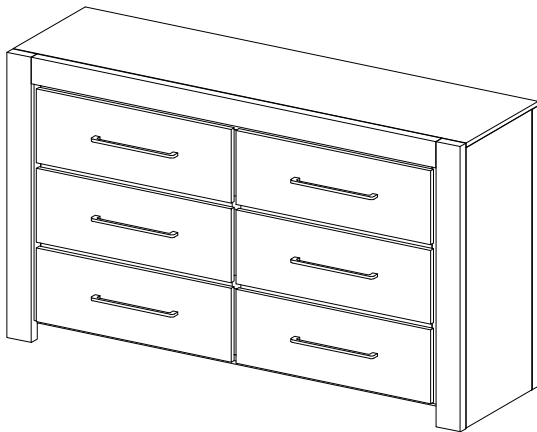
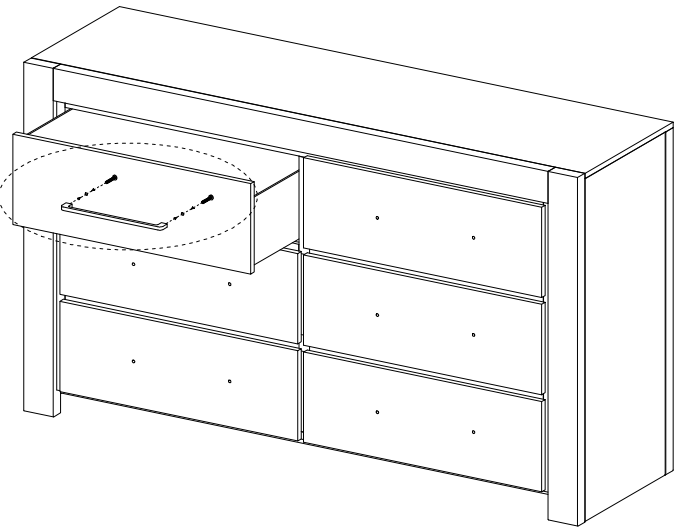
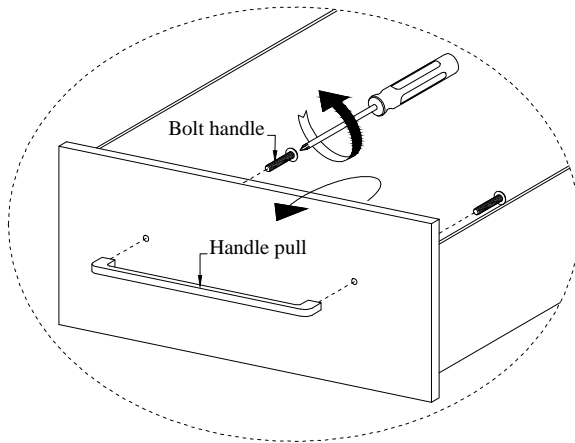


1. Insert screws (1) into the slat holes & secure by using a Philip's Head Screwdriver. (Not included).



# City Lights Assembly Instructions

ZCTL-7013 Dresser



For your safety, please install tipping restraint by following instructions inside of the bag.

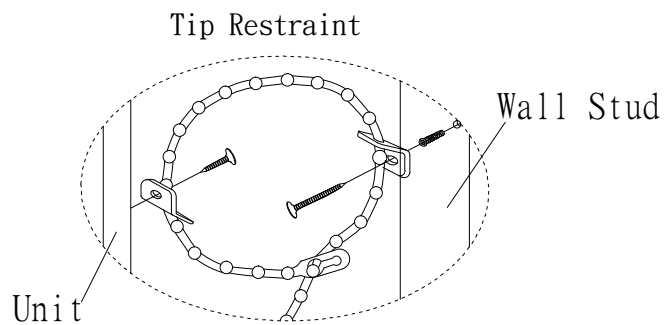
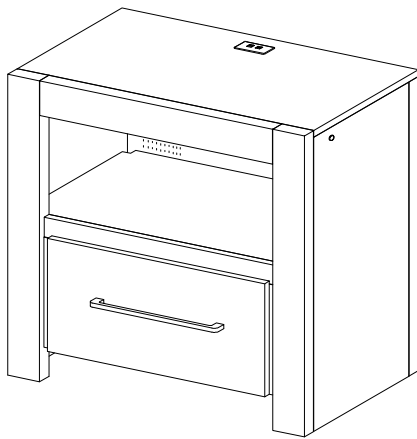
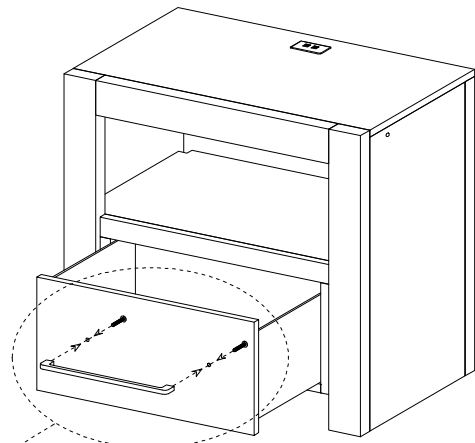
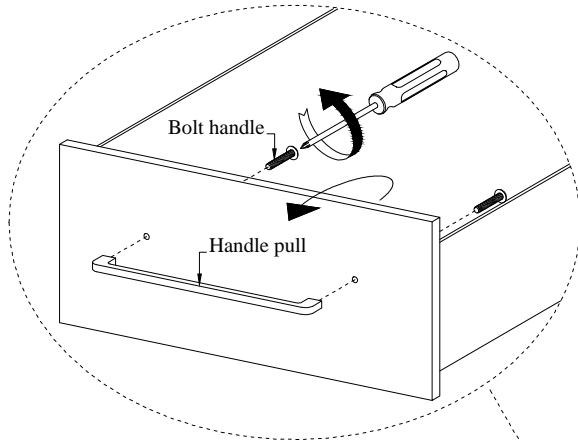
1. Attach handle pull to drawer by using bolt handle .

Thank you for choosing Legends Furniture!



# City Lights Assembly Instructions

ZCTL-7015 Nightstand



For your safety, please install tipping restraint by following instructions inside of the bag.

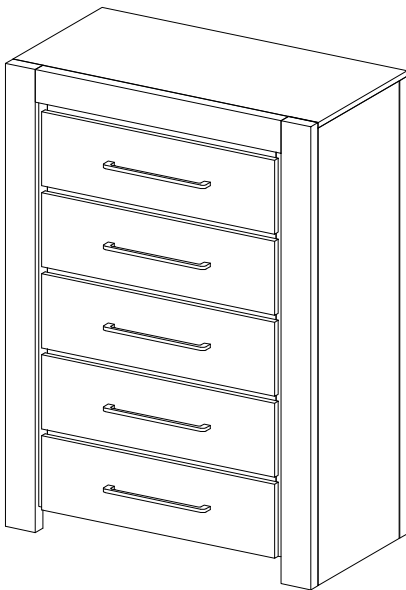
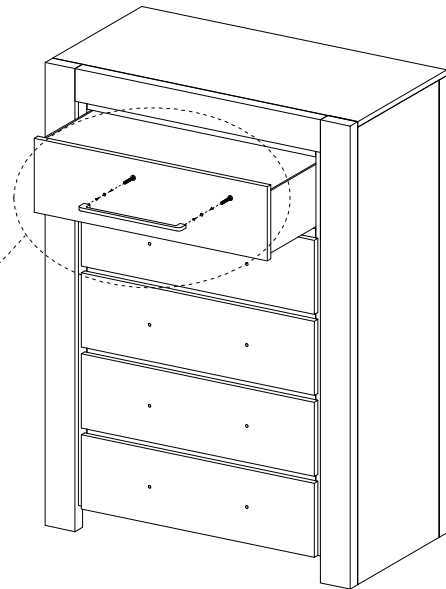
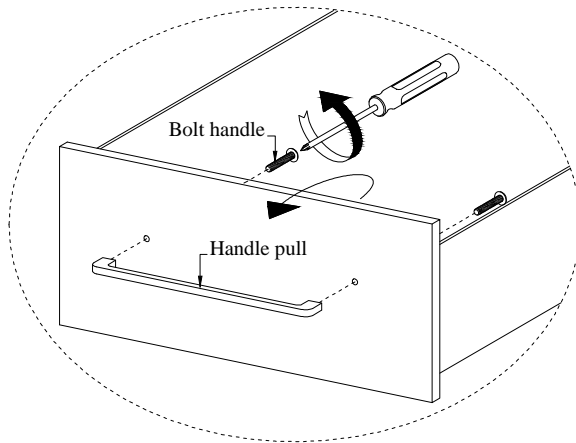
1. Attach handle pull to drawer by using bolt handle .

Thank you for choosing Legends Furniture!

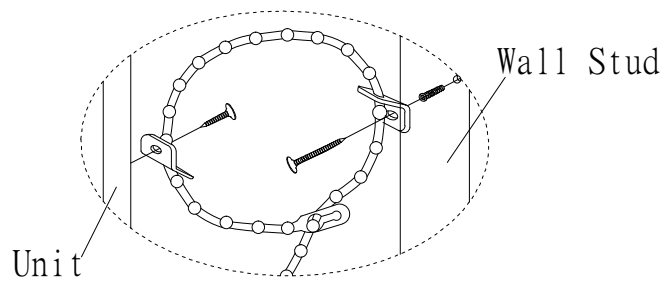


# City Lights Assembly Instructions

ZCTL-7016 Chest



Tip Restraint



For your safety, please install tipping restraint by following instructions inside of the bag.

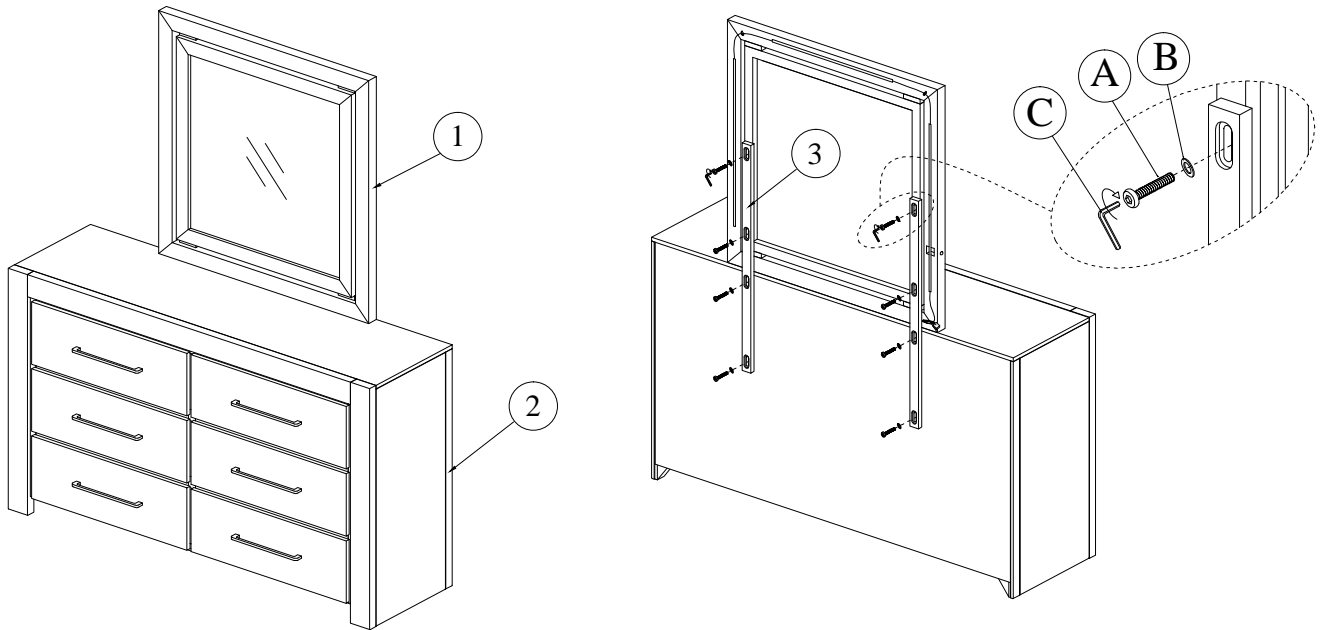
1. Attach handle pull to drawer by using bolt handle.

Thank you for choosing Legends Furniture!

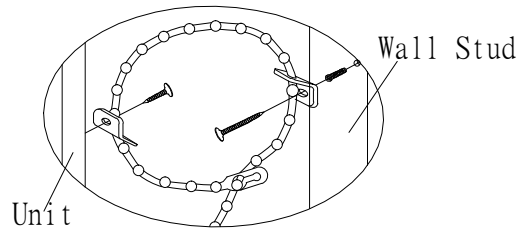


# City Lights Assembly Instructions

ZCTL-7014 Mirror



### Tip Restraint



PART#	DESCRIPTION	QTY
①	Mirror	1 PC
②	Dresser	1 PC
③	Mirror Support	2 PCS
(A)	Bolts ( 1/4" x 30mm )	8 PCS
(B)	Flat Washer (1/4" )	8 PCS
(C)	Allen Wrench	1 PC

For your safety, please install tipping restraint by following instructions inside of the bag.

1. Attach mirror support (3) to dresser (2) by using bolts (A), flat washer (B), with Allen Wrench (C).
2. Set mirror (1) on top of dresser (2) carefully. Line up drilled holes on mirror (1) with holes on mirror support (3).
3. Fasten mirror (1) to mirror supports (3) by using bolts (A), flat washer (B), with Allen Wrench (C).
4. To level the unit on an uneven surface, adjust leveler on the support leg.

Thank you for choosing Legends Furniture!